

**ENG**

Translation of the  
original user guide



## PRUNING SHEARS AND 250 BATTERY PRUNION & VINION

Operating instructions

32\_118367-K  
04/2020

READ THE OPERATING INSTRUCTIONS  
MANUAL CAREFULLY BEFORE USE



# TABLE OF CONTENTS

<b>1. INTRODUCTION .....</b>	<b>5</b>
<b>2. SAFETY .....</b>	<b>6</b>
<b>2.1. GENERAL POWER TOOL SAFETY WARNINGS .....</b>	<b>6</b>
2.1.1. WORK AREA SAFETY .....	6
2.1.2. ELECTRICAL SAFETY .....	6
2.1.3. PERSONAL SAFETY .....	6
2.1.4. POWER TOOL USE AND CARE .....	7
2.1.5. BATTERY TOOL USE AND CARE .....	7
2.1.6. SERVICE .....	8
2.1.7. TOOL'S END-OF-LIFE MANAGEMENT .....	8
<b>2.2. SAFETY WARNINGS FOR BATTERY-POWERED SHEARS .....</b>	<b>8</b>
<b>2.3. SAFETY MEASURES ASSOCIATED WITH BATTERY USE .....</b>	<b>9</b>
<b>2.4. SAFETY MEASURES WHEN USING THE "PELENC" CHARGER .....</b>	<b>10</b>
<b>2.5. SAFETY SIGNAGE .....</b>	<b>10</b>
<b>2.6. PERSONAL PROTECTION EQUIPMENT .....</b>	<b>11</b>
<b>2.7. EMISSIONS .....</b>	<b>11</b>
<b>3. DESCRIPTION AND TECHNICAL CHARACTERISTICS .....</b>	<b>12</b>
<b>3.1. DESCRIPTION OF PRUNER + ULIB 250 BATTERY COMBINATION .....</b>	<b>12</b>
<b>3.2. DESCRIPTION OF CUTTING HEAD .....</b>	<b>13</b>
<b>3.3. TECHNICAL SPECIFICATIONS OF THE PRUNERS .....</b>	<b>13</b>
3.3.1. VINION .....	13
3.3.2. PRUNION .....	14
<b>3.4. BATTERY TECHNICAL CHARACTERISTICS .....</b>	<b>14</b>
<b>3.5. 250 BATTERY CHARGING TIME BASED ON THE CHARGER USED .....</b>	<b>14</b>
<b>4. COMMISSIONING .....</b>	<b>14</b>
<b>4.1. PUTTING THE PRUNING HOLSTER ON THE BELT .....</b>	<b>15</b>
<b>4.2. PUTTING THE PRUNING HOLSTER AROUND THE THIGH .....</b>	<b>16</b>
<b>4.3. PUTTING THE LEAD AND WRIST STRAP IN PLACE .....</b>	<b>18</b>
<b>5. USE .....</b>	<b>18</b>
<b>5.1. USAGE TIPS .....</b>	<b>18</b>
<b>5.2. USAGE MODES .....</b>	<b>19</b>
<b>5.3. OPTICAL TRIGGER .....</b>	<b>20</b>
<b>5.4. CHANGING MODE .....</b>	<b>21</b>
5.4.1. U1 / U2 / U3 / U4 MODES .....	21
5.4.2. "FUNCTIONAL" SETTING MODES .....	22
5.4.3. PARAMETER SETTING MODES .....	23
<b>5.5. THE BATTERY .....</b>	<b>24</b>
5.5.1. CHARGING .....	24
<b>5.6. USAGE METHOD WITH BOTH TOOLS .....</b>	<b>26</b>

<b>6. MAINTENANCE</b> .....	<b>27</b>
6.1. SHARPENING .....	27
6.2. CHECK THE TIGHTNESS OF THE BLADE .....	27
6.3. CHANGING BLADE OR SHAFT .....	28
6.4. BATTERY REPLACEMENT .....	30
6.5. CHARGER MAINTENANCE .....	30
6.6. OTHER MAINTENANCE .....	30
<b>7. INCIDENTS AND TROUBLESHOOTING</b> .....	<b>31</b>
7.1. RECAP OF BATTERY DISPLAY MESSAGES AND AUDIBLE SIGNALS .....	31
<b>8. TRANSPORT / STORAGE</b> .....	<b>32</b>
8.1. STORAGE .....	32
<b>9. ACCESSORIES AND CONSUMABLES</b> .....	<b>32</b>
<b>10. WARRANTIES</b> .....	<b>32</b>
10.1. GENERAL WARRANTIES .....	32
10.1.1. STATUTORY WARRANTY .....	32
10.1.2. COMMERCIAL WARRANTYPELLENC .....	33
10.1.3. PAID AFTER-SALES SERVICE .....	34
10.2. SPECIFIC WARRANTIES .....	34
<b>11. COMPLIANCE STATEMENTS</b> .....	<b>36</b>
11.1. "EC" DECLARATION OF CONFORMITY: VINION .....	36
11.2. "EC" DECLARATION OF CONFORMITY: PRUNION .....	37
11.3. "EC" DECLARATION OF CONFORMITY: BATTERY 250 .....	38
11.4. "EU" DECLARATION OF CONFORMITY: CB5010HV CHARGER .....	39

## 1. INTRODUCTION

Dear Customer,

Thank you for purchasing your Pruning shears and 250 battery Prunion & Vinion. Correctly used and maintained, this tool will give a satisfactory performance for many years.



### Warning

Your device contains numerous recoverable or recyclable materials. Return it to your dealer or, failing this, to an approved servicing centre to be treated.



Comply with the regulations in force in your country as concerns environmental protection associated with your activity.



### Warning

It is imperative that you read through the ENTIRE user's manual before using or servicing the tool. Always comply with the instructions and illustrations in the manual.


All through this user guide you will find advisory notes and information entitled: NOTE, IMPORTANT, ATTENTION and WARNING.

The points marked "NOTE" indicate additional information.

The points marked "IMPORTANT" warn the user of a potential risk to the equipment.

The points marked "ATTENTION" warn the user of a potentially hazardous situation which if not avoided leads to minor injuries.

The points marked "WARNING" warn the user of a potentially hazardous situation which if not avoided leads to serious injury or death.

The warning  indicates that damage resulting from failure to comply with the procedures and instructions is not covered by the warranty and the owner will be liable for any repair costs.

Safety indications are also given on the tool; they remind you of the safety precautions to be taken. Identify and read these indications before using the tool. Immediately replace any indications that may become partially illegible or deteriorated.

Refer to Section 2.5, "Safety signage" for the location diagram of the safety stickers affixed to the tool.

No part of this manual may be reproduced without the written permission of the company PELENC. The illustrations given in this manual are for information purposes and are in no way contractual. The PELENC company reserves the right to make any modification or improvement to its products as deemed necessary without informing customers already in possession of a similar model. This manual forms an integral part of the tool and must accompany the tool if it changes hands.

## 2. SAFETY

### 2.1. GENERAL POWER TOOL SAFETY WARNINGS



#### **Warning**

**Read all safety warnings, instructions, illustrations and specifications provided with this power tool.** Failure to follow all instructions listed below may result in electric shock, fire and/or serious injury.

#### **Note**

**Save all warnings and instructions for future reference.**

The term "power tool" in the warnings refers to your mains-operated (corded) power tool or battery-operated (cordless) power tool.

#### 2.1.1. WORK AREA SAFETY

1. **Keep the work area clean and well lit.** Cluttered or dark areas invite accidents.
2. **Do not operate power tools in an explosive atmosphere, for example in the presence of flammable liquids, gases or dust.** Power tools create sparks, which can ignite dust or fumes.
3. **Keep children and bystanders away while operating the power tool.** Distractions can cause you to lose control of the tool.

#### 2.1.2. ELECTRICAL SAFETY

1. **The power tool connector must be adapted to the socket. Never modify the connector in any way whatsoever. Do not use adapter plugs with earthed (grounded) power tools.** Unmodified plugs and suitable sockets reduce the risk of electric shock.
2. **Avoid contact with earthed surfaces such as pipes, radiators, cookers, and refrigerators.** There is an increased risk of electric shock if your body is in direct contact with the ground.
3. **Do not expose power tools to rain or damp conditions.** The entry of water into a power tool increases the risk of electric shock.
4. **Do not mishandle the power cord. Never use the cord for carrying, pulling or unplugging the power tool. Keep cord away from heat, oil, sharp edges and moving parts.** Damaged or entangled cords increase the risk of electric shock.
5. **Use an extension cord suitable for outdoor use when operating power tools outdoors.** Use a cord suitable for outdoors to reduce the risk of electric shock.
6. **Use a power supply protected by a residual current device (RCD) when the power tool is operated in a damp location.** Use of an RCD reduces the risk of electric shock.

#### **Note**

The term "Residual Current Device" (RCD) can be replaced by "Ground Fault Circuit Interrupter" (GFCI) or "Earth Leakage Circuit Breaker" (ELCB).

#### 2.1.3. PERSONAL SAFETY

1. **Stay alert, watch what you are doing, and use common sense when operating the power tool. Do not use a power tool while you are tired or under the influence of drugs, alcohol or medication.** A moment of inattention when using a power tool can result in serious personal injury.

2. **Use personal protective equipment. Always wear eye protection.** Safety equipment such as dust masks, non-slip safety shoes, helmets, or ear protection used at the appropriate times reduces injuries.
3. **Avoid accidental starting of the tool. Make sure the switch is in the off position before you connect the tool to the power source and/or battery pack, pick it up, or carry it.** Carrying a power tool with your finger on the switch or connecting a power tool with the switch in the 'on' position can cause accidents.
4. **Remove any adjusting wrench before switching the electric tool on.** A wrench left attached to a rotating part can cause injury.
5. **Do not rush. Keep proper footing and balance at all times.** This provides better control of the power tool in unexpected situations.
6. **Dress appropriately. Do not wear loose clothing or jewellery. Keep hair and clothing away from moving parts.** Loose clothes, jewellery or long hair can get caught in moving parts.
7. **If devices are provided for connecting dust extraction and collection equipment, ensure that these are connected and properly used.** Use of dust collection can reduce dust-related hazards.
8. **Do not let familiarity gained from frequent use of tools allow you to become complacent and ignore tool safety principles.** A careless action can cause severe injury within a fraction of a second.

#### 2.1.4. POWER TOOL USE AND CARE

1. **Do not force the power tool. Use the power tool suited for the job.** The adapted power tool does the work better and more safely at the speed it was built to operate at.
2. **Do not use the power tool if the switch does not allow it to be switched on and off.** Power tools that cannot be controlled by a switch are dangerous and must be repaired.
3. **Unplug the tool from the socket or remove the battery (if possible) before any adjustment, change of accessory or storage.** These preventive safety measures reduce the risk of accidentally starting the power tool.
4. **When not in use, keep power tools out of the reach of children and do not allow persons unfamiliar with the power tool or these instructions to operate it.** Power tools are dangerous when operated by inexperienced users.
5. **Maintenance of the power tool and its accessories is mandatory. Check that the moving parts are not out of alignment or jammed, that there are no broken parts or that there is no other condition which could affect the operation of the power tool. If damaged, repair the power tool before using it.** Many accidents are due to poorly maintained power tools.
6. **Keep the cutting elements sharp and clean.** Properly maintained cutting tools with sharp cutting elements are less likely to jam and are easier to control.
7. **Use the power tool, accessories, blades, etc. in accordance with these instructions, taking into account the working conditions and the work to be done.** Use of the power tool for operations different from those intended could result in a hazardous situation.
8. **Keep handles and grasping surfaces dry, clean and free from oil and grease.** Slippery handles and grasping surfaces do not allow for safe handling and control of the tool in unexpected situations.

#### 2.1.5. BATTERY TOOL USE AND CARE

1. **Recharge only with the charger specified by the manufacturer.** A charger that is suitable for one type of battery pack may create a risk of fire when used with another battery pack.
2. **Use power tools only with specifically designated battery packs.** Use of any other battery packs may create a risk of injury and fire.
3. **When battery pack is not in use, keep it away from other metal objects, like paper clips, coins, keys, nails, screws or other small metal objects, that can make a connection from one terminal to another.** Shorting the battery terminals together may cause burns or a fire.
4. **Under abusive conditions, liquid may be ejected from the battery; avoid contact. If contact accidentally occurs, wash away with water. If liquid contacts eyes, seek additional medical help.** Liquid ejected from the battery may cause irritation or burns.
5. **Do not use a battery pack or tool that is damaged or modified.** Damaged or modified batteries may exhibit unpredictable behaviour resulting in fire, explosion or risk of injury.
6. **Do not expose a battery pack or tool to fire or excessive temperature.** Exposure to fire or temperature above 130 °C may cause explosion.

**Note**

The temperature “130°C” can be replaced by the temperature “265°F”.

7. **Follow all charging instructions and do not charge the battery pack or tool outside the temperature range specified in the instructions.** Charging improperly or at temperatures outside the specified range may damage the battery and increase the risk of fire.

**2.1.6. SERVICE**

1. **Have your power tool serviced by a qualified repair person using only identical replacement parts.** This will ensure that the safety of the power tool is maintained.
2. **Never service damaged battery packs.** Service of battery packs should only be performed by the manufacturer or authorized service providers.

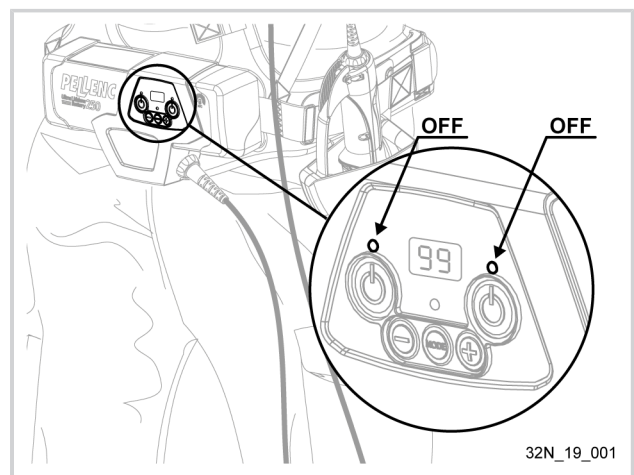
**2.1.7. TOOL’S END-OF-LIFE MANAGEMENT**

1. **When the tool reaches the end of its life, PELENC keeps the end of life sheet of the equipment at disposal.** The end of life sheet provides instructions for safely removing components.

**2.2. SAFETY WARNINGS FOR BATTERY-POWERED SHEARS**

1. Never modify the connector in any way whatsoever.
2. This tool may cause severe injuries. Read the instructions carefully about the proper handling, operation, maintenance, start-up and stopping of the tool. Familiarize yourself with all its controls and proper use.
3. Always switch off the battery when the machine is not in use (both LEDs must be off).
4. Make sure that the blade is not in contact with any object before starting the tool.
5. Never use the tool if it is damaged, incorrectly set or incompletely assembled.
6. Never remove or disable a safety device. Have the safety device repaired if is faulty.
7. Never disconnect the power cord of the tool without having checked that the red and green LEDs on the left and right of the battery display are off.
8. Never carry the pruning shears suspended from the power cord.
9. Do not disassemble the pruning shears.
10. Do not try to cut pieces of wood that are too large or other materials than wood.
11. Please test the machine before use to check that it is working properly.

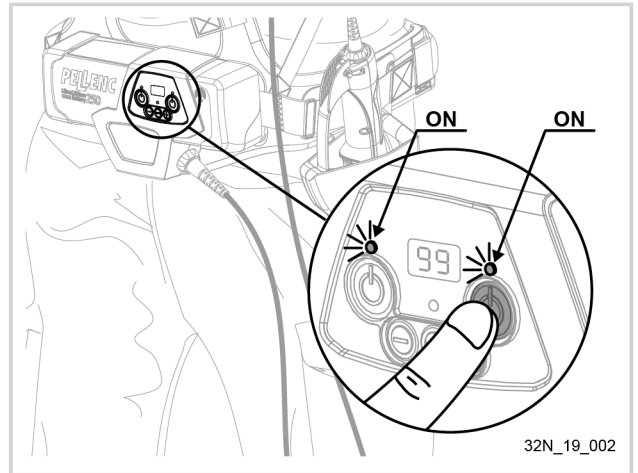
Battery off (2 LEDs off)



32N\_19\_001



The battery is on (red LED and green LED lit)



32N\_19\_002

### 2.3. SAFETY MEASURES ASSOCIATED WITH BATTERY USE

1. If not using the battery unit, store it away from other metal objects such as paper clips, coins, keys, nails, screws or other such small metal items that might form a connection between the two terminals. Creating a short-circuit between the battery terminals can lead to burns or cause a fire.
2. Keep the battery out of the reach of children and place it on a non-combustible support.
3. Do not interfere with its cooling cycle.
4. Do not use or leave the battery near a heat source (> 60°C).
5. Do not leave the battery in direct, strong sunlight.
6. Do not expose the battery to microwaves or high pressure.
7. Do not immerse the battery in water.
8. The batteries must be charged in a dry, ventilated room at a temperature between 10°C and 25°C maximum, away from any moisture.
9. If the battery is not used for 10 days, the battery will automatically discharge until it reaches its storage charge rate, and then goes to sleep. It will heat up during this phase.
10. Over time, the capacity of your battery reduces. When it reaches half of its original battery-life operating time, it should be replaced.
11. The battery may lose 1 to 4 % of its capacity when exposed to a temperature higher than or equal to 55 °C for one week.
12. The charging location must be equipped with a class D fire extinguisher (for metal fire) in good working order.
13. The standards in effect must be complied with when either shipping a complete tool or a battery.
  - A complete tool with a battery is a product that is classified as class 9, UN3481.
  - Battery alone: product that is classified as class 9, UN3480.
14. Use of a battery other than that provided by Pellenc SA is dangerous (risk of serious injury). If a different battery is used, Pellenc SA cannot be held responsible for any consequences.
15. The battery must be protected from any impact and must be positioned and secured appropriately during transportation.
16. In the case of suspicious smoke, place the battery outside the charging area or transportation vehicle as far away as possible from any inflammable material.
17. Never store a battery when its capacity is below 50 %. Recharge the battery before storage if the value is below 50%.
18. In inappropriate conditions, a liquid can flow batteries; avoid contact with it. In the event of accidental contact, rinse with water. In the event of contact with eyes, seek professional medical help. The liquid leaking from the batteries can cause irritations or burns.
19. Pellenc power tools must only be used with the battery units designed for the purpose. Use of other battery units can present a risk of injury and fire.
20. Only recharge using the charger indicated by the manufacturer. A charger adapted to one type of battery unit may present a fire risk if used with a different battery unit.
21. Do not use the battery for any purpose other than that initially envisaged (exclusively for use with Pellenc tools).
22. At the end of its life, the battery must be returned to the authorized distributor from whom it was purchased to be recycled in accordance with waste regulations.
23. Fragile case, contains an electronic board and lithium.

**2.4. SAFETY MEASURES WHEN USING THE "PELLENC" CHARGER**

1. When in operation, the charger's temperature can reach 60°C. No flammable material must be within 1.5 metres of the charger and battery.
2. Place the charger out of children's reach and onto a non-combustible support.
3. Do not interfere with its cooling cycle.
4. The charger supplied with the battery is designed to recharge the battery. Do not charge non-rechargeable batteries.
5. The charging location must be equipped with a class D fire extinguisher (for metal fire) in good working order.
6. If the output cord is cut or damaged, bring the entire charger back to the authorised distributor where the tool was purchased.
7. Only recharge using the "PELLENC" charger indicated by the manufacturer. A charger adapted to one type of battery unit may present a fire risk if used with a different battery unit.
8. This charger is designed to charge the batteries of Pellenc's lithium tools.
9. Do not use it for any other purposes.
10. Children must be supervised to ensure they do not play with the charger.
11. Verify that the cable cannot be folded and does not touch hot surfaces or sharp edges.
12. Ensure good ventilation during the charge.
13. Never cover the charger. This charger must not be used outdoors.
14. Make sure the power connector is not exposed to water.
15. Never charge a damaged battery.
16. The grid connection must comply with national electrical regulations.
17. Check the cable of the charger before using it. Never use the charger if the cable is damaged
18. When the battery is charging, place the charger on a non-flammable support, more than 1.5 m away from any flammable object.

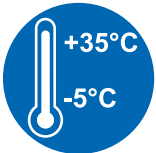
**2.5. SAFETY SIGNAGE**



Do not expose to rain.



Read the user guide.



This equipment must be used at a temperature of between -5° and +35°C.



Lithium-ion battery.

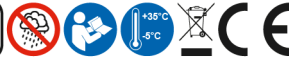
At the end of its life, the battery must be returned to the authorized distributor from whom it was purchased to be recycled in accordance with waste regulations.



Tool compliant with EC standards.









BATTERY Li-Ion  
REFERENCE 118407  
ULIB 250

43.2V x 5.80Ah = 251Wh  
IEC/EN 61960  
43.2V ≙ 5.40Ah  
12INR19/66-2



A utiliser uniquement avec le chargeur batterie PELLENC modèle	} CB5010HV
Usar sólo con el cargador de batería PELLENC del modelo	
For use only with PELLENC's battery charger model	
Nur zur Verwendung mit dem Ladegerät Modell PELLENC	
Só usar com o carregador de bateria PELLENC	
Per l'utilizzo solo con il caricabatteria modello PELLENC	

**2.6. PERSONAL PROTECTION EQUIPMENT**

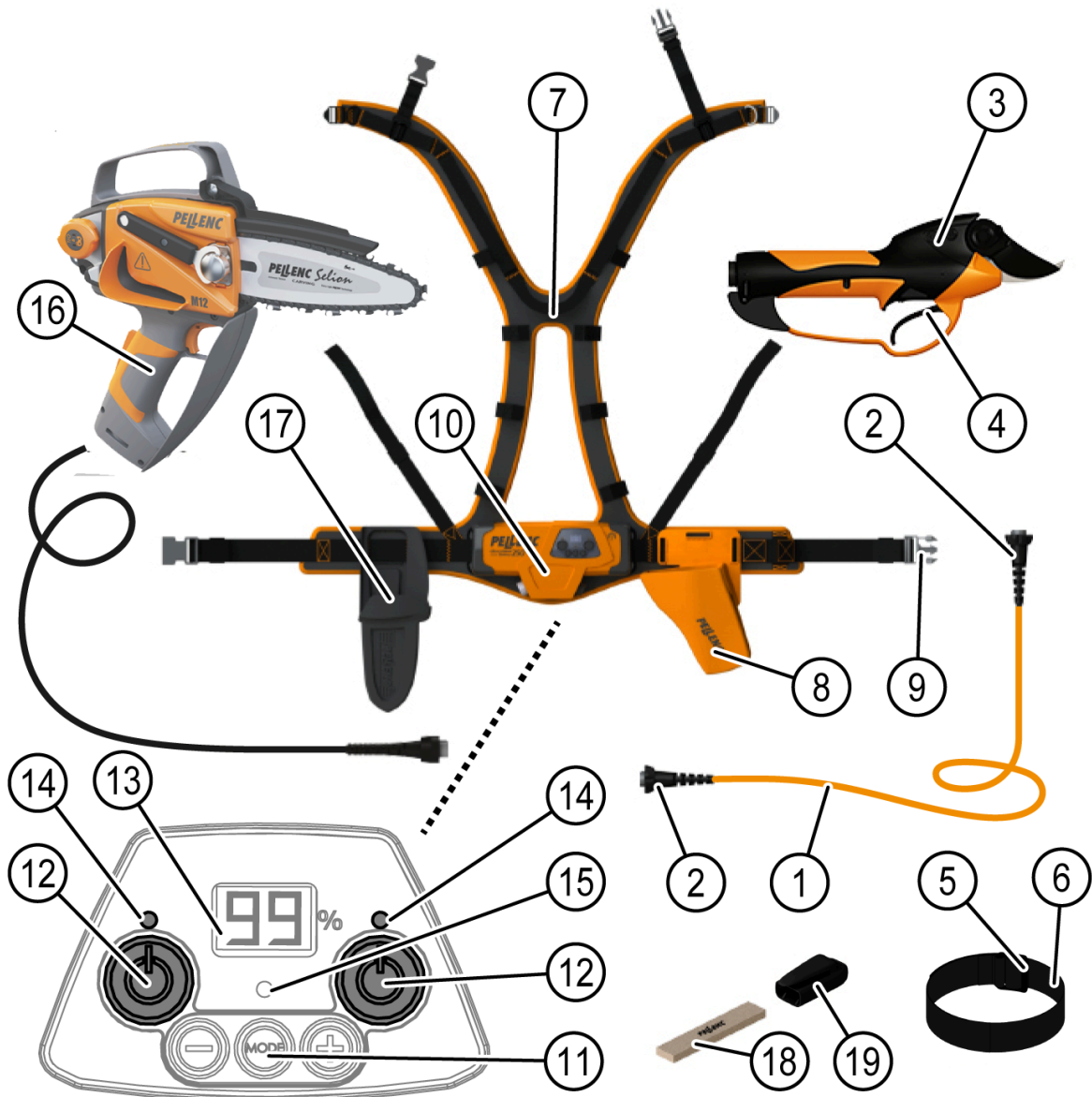
	Equipment	Wear
	1 Safety helmet	--
	2 Protective visor	Recommended
	3 Protective gloves	Recommended
	4 Safety footwear	Required
	5 Ear protection	--
	6 Protective goggles	Required
	7 Jacket or over-sleeves	Recommended
	8 Work trousers	Recommended

**2.7. EMISSIONS**

1. The declared total vibration value (s) and the declared noise emission value (s) were measured in accordance with a standard test method and can be used to compare tools.
2. that the declared vibration total value may also be used in a preliminary assessment of exposure.
3. the need to identify safety measures to protect the operator that are based on an estimation of exposure in the actual conditions of use (taking account of all parts of the operating cycle such as the times when the tool is switched off and when it is running idle in addition to the trigger time).

**3. DESCRIPTION AND TECHNICAL CHARACTERISTICS**

**3.1. DESCRIPTION OF PRUNER + ULIB 250 BATTERY COMBINATION**



32N\_19\_004

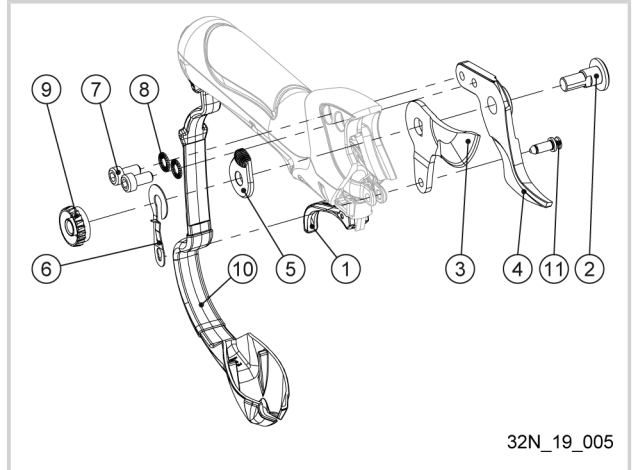
- |                                   |  |
|-----------------------------------|--|
| 1. Pruner lead                    | 13. Battery level display  |
| 2. Pruner connector plug          | 14. Right and left LEDs  |
| 3. Prunion/Vinion pruners         | 15. Charge indicator   |
| 4. Trigger                        | 16. Pellenc Selion M12 chainsaw (not included)                               |
| 5. Wrist strap clip               | • Always read the instruction manual for the Selion M12 chainsaw before use. |
| 6. Elastic wrist strap            | 17. Pellenc Selion M12 chainsaw holster (not included)                       |
| 7. Adjustable harness             | 18. Grinding stone   |
| 8. Pruner holster                 | 19. Grinding stone holder  |
| 9. Belt clip                      |  |
| 10. Battery 250                   |  |
| 11. Mode change button            |  |
| 12. ON/OFF right and left buttons |  |

**Note**

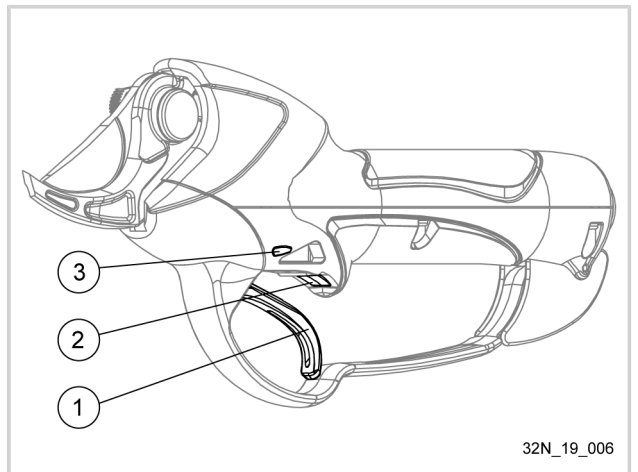
The second connector means that a Pellenc Selion M12 chainsaw can be connected at the same time.

**3.2. DESCRIPTION OF CUTTING HEAD**

- 1. Trigger
- 2. Blade shaft
- 3. Blade
- 4. Hook
- 5. Knurled adjustment washer
- 6. Locking blade
- 7. CHC M6 screw
- 8. Lock washer
- 9. Clamping wheel
- 10. Guard
- 11. Rod clevis



- 1. Trigger
- 2. Optical sensor
- 3. Tool indicator



**3.3. TECHNICAL SPECIFICATIONS OF THE PRUNERS**

**3.3.1. VINION**

Cutting capacity	up to 35 mm, depending on type of wood
Pruning shears power supply voltage	43.2 V
Average power	180 W
Battery autonomy	Depending on the use and type of battery
Weight of pruning shears	680 g

Total vibration values (triax vector sum) determined in accordance with the EN 62841-1 standard (uncertainty of $K=1.5 \text{ m/s}^2$ )	$a_h = 2.5 \text{ m/s}^2$
---	---------------------------

**Noise value measured according to standard EN 62841-1**

Acoustic power level measured (uncertainty of K=3 dB)	$L_{WA}=80$ dB MAX
Level of acoustic pressure measured at the work station (uncertainty of K=3 dB)	$L_{pA}=70$ dB MAX

**3.3.2. PRUNION**

Cutting capacity	up to 45 mm, depending on type of wood
Pruning shears power supply voltage	43.2 V
Average power	250 W
Battery autonomy	Depending on the use and type of battery
Weight of pruning shears	860 g

Total vibration values (triax vector sum) determined in accordance with EN 62841-1 (uncertainty of K=1.5 m/s <sup>2</sup> )	$a_h = 0.92$ m/s <sup>2</sup>
---	-------------------------------

**Noise value measured according to standard EN 62841-1**

Acoustic power level measured (uncertainty of K=3 dB)	$L_{WA} = 81.1$ dB
Level of acoustic pressure measured at the work station (uncertainty of K=3 dB)	$L_{pA} = 70.1$ dB

**3.4. BATTERY TECHNICAL CHARACTERISTICS**

Name	Ulib 250
Rated battery voltage	43.2 V
Type of battery	24 cells in 1 pack
Battery capacity	5.8 Ah
Battery power	1,728 W
Battery energy	251 Wh
Battery life	Depending on the tool
Weight of the battery unit	1680 grams (without cable)
Operating frequency bands	13.56 MHz
Max. transmitted RF power	-41 dBm

**3.5. 250 BATTERY CHARGING TIME BASED ON THE CHARGER USED**

Battery	Ulib 250	
Charge level	70%	100%
Charger CB5010 (1.0A)	4 hrs	7 hrs

**4. COMMISSIONING**

1. Remove pruning shears, battery and belt from the packaging.

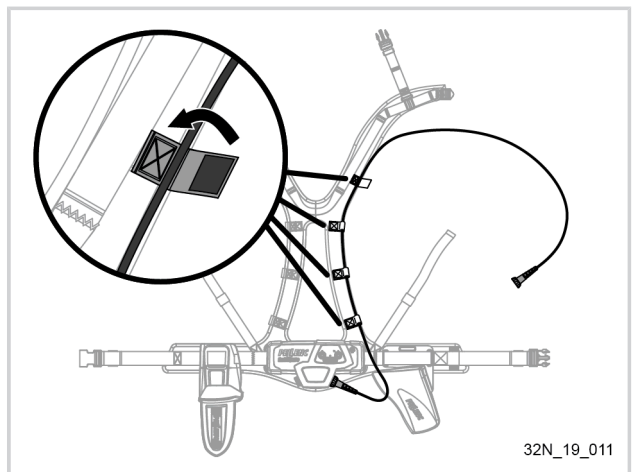
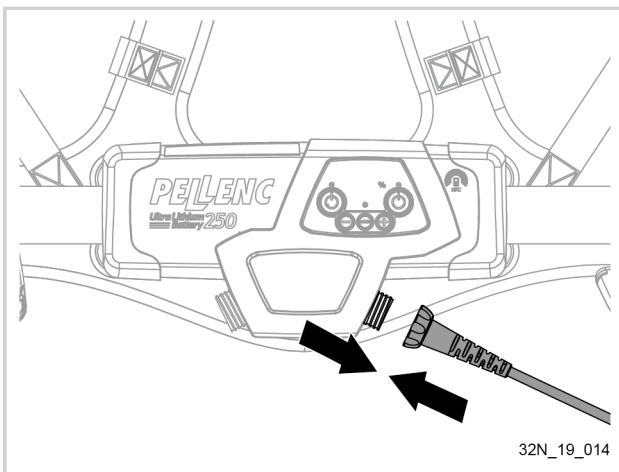
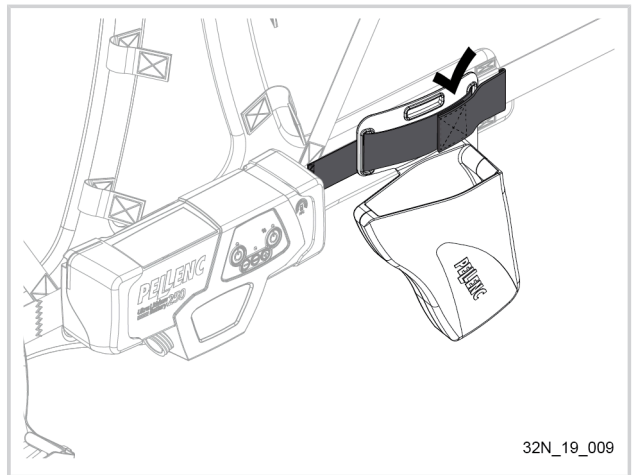
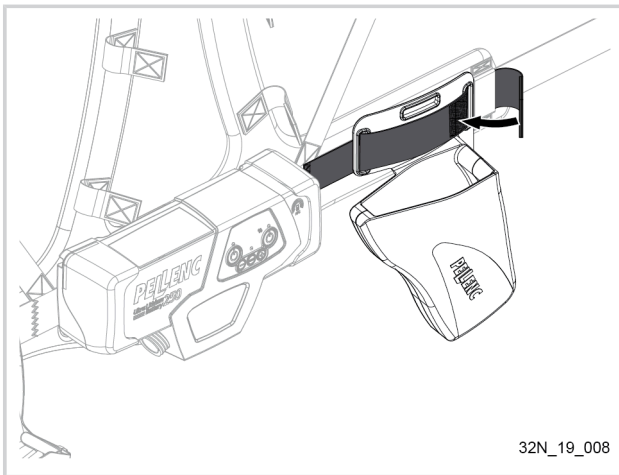
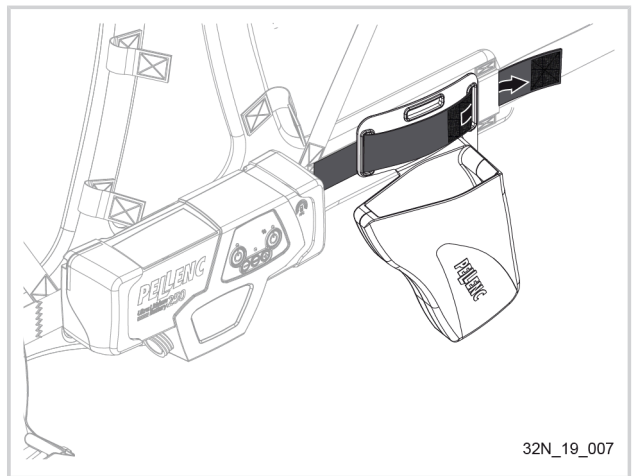
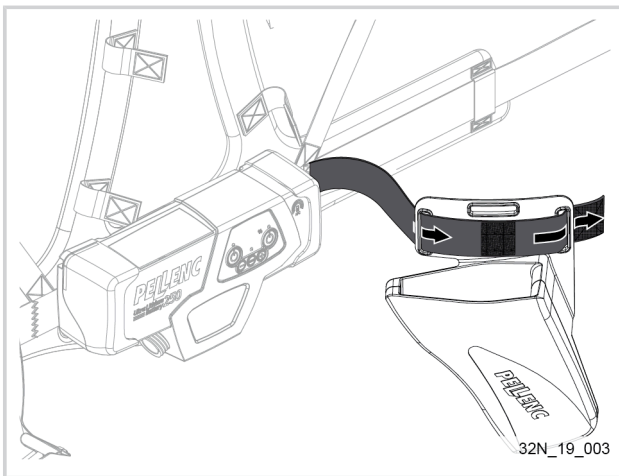
2. Check that the battery is actually turned off

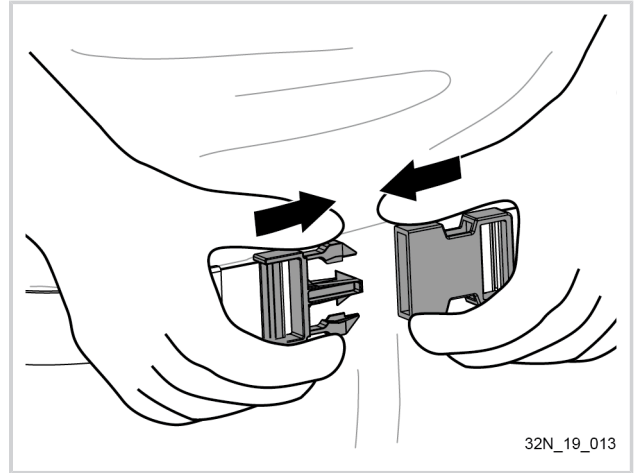
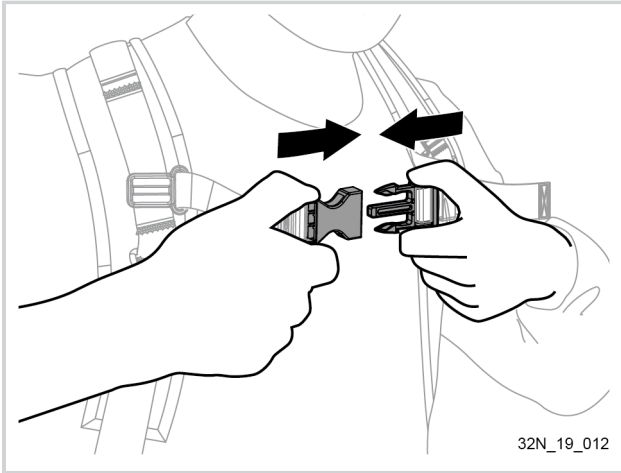
Before using the battery for the first time, it must be fully charged (99% steady). (See Section 5.5.1, "Charging")

**Note**

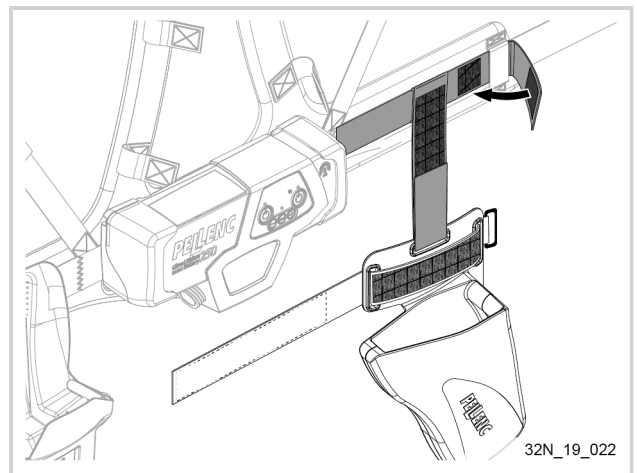
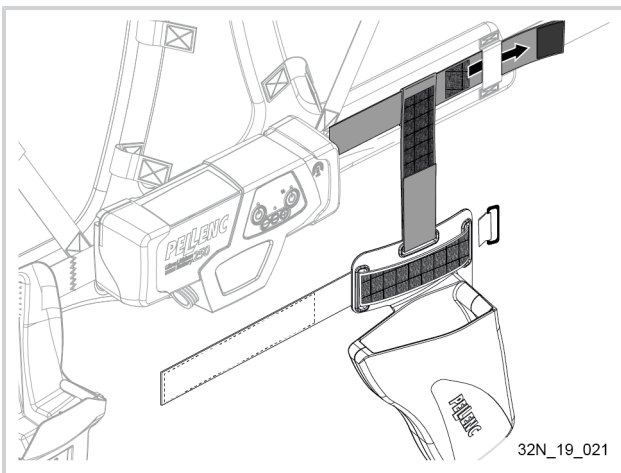
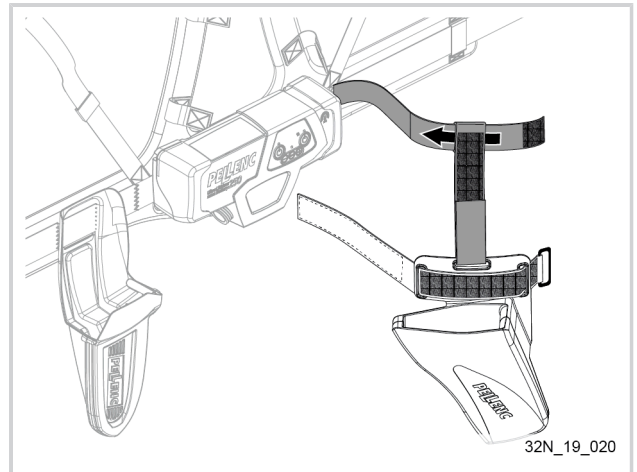
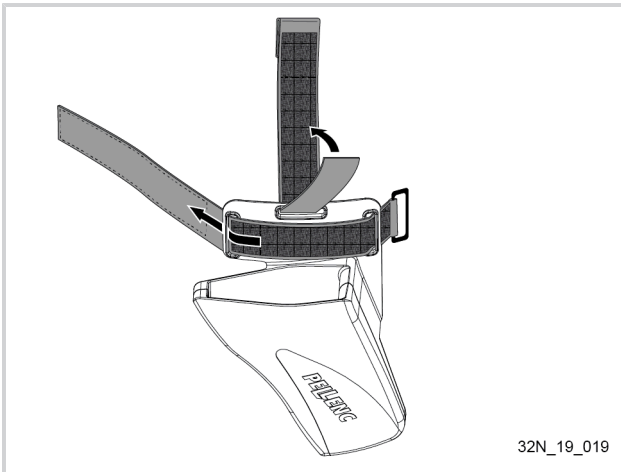
Considering the machining accuracy of the pruning shear components, to achieve optimal performance, a breaking-in period of 2 to 3 days is useful and will allow you to appreciate the reduction in consumption and noise.

**4.1. PUTTING THE PRUNING HOLSTER ON THE BELT**

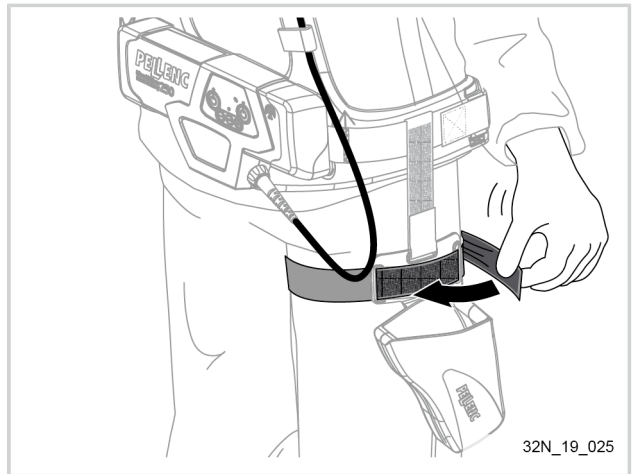
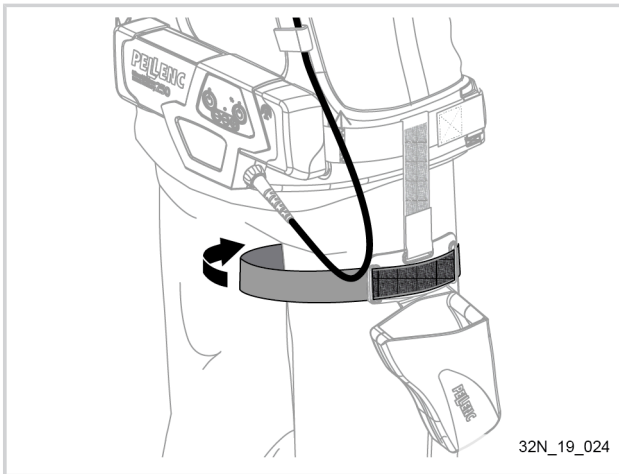
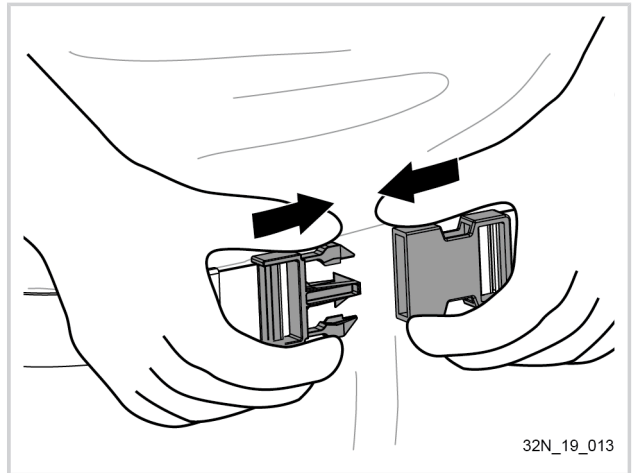
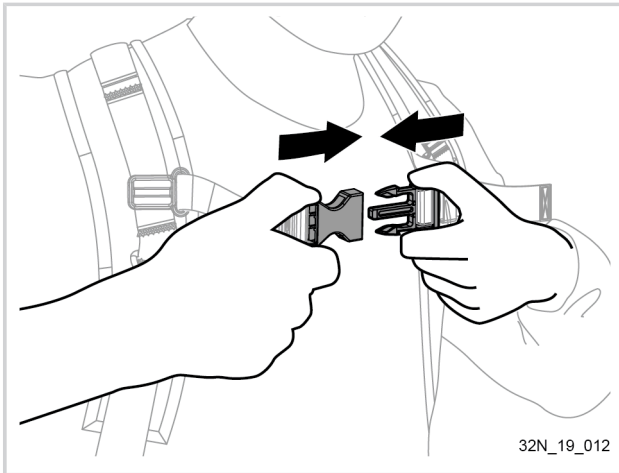
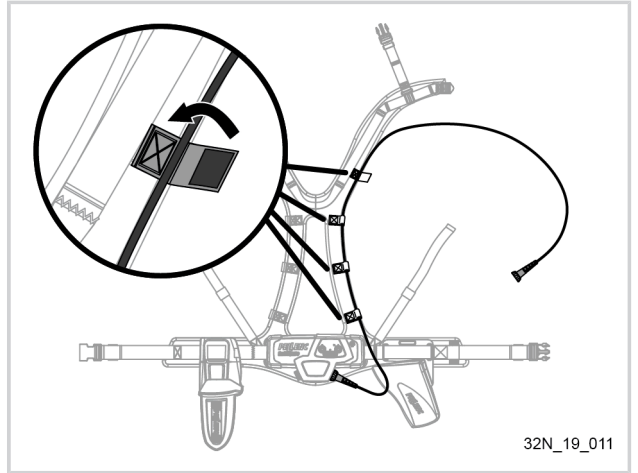
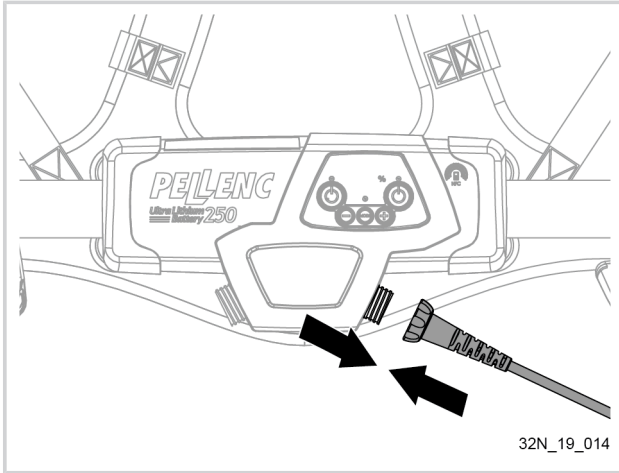




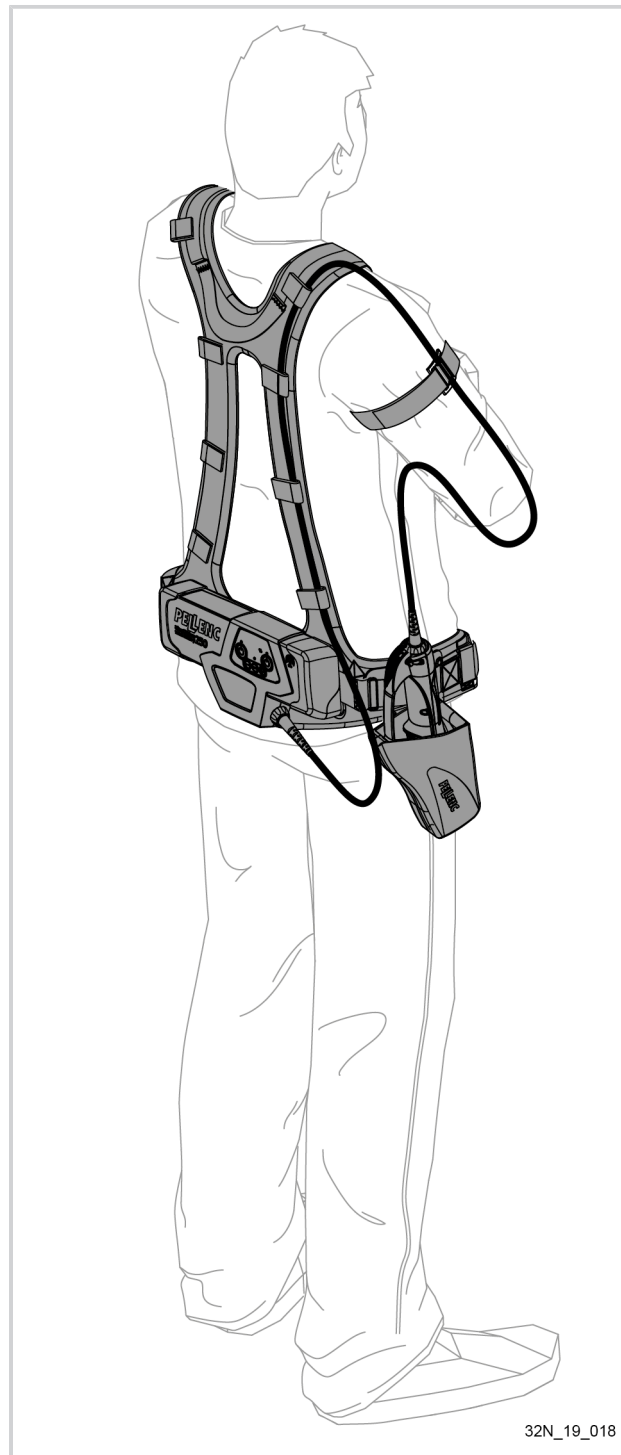
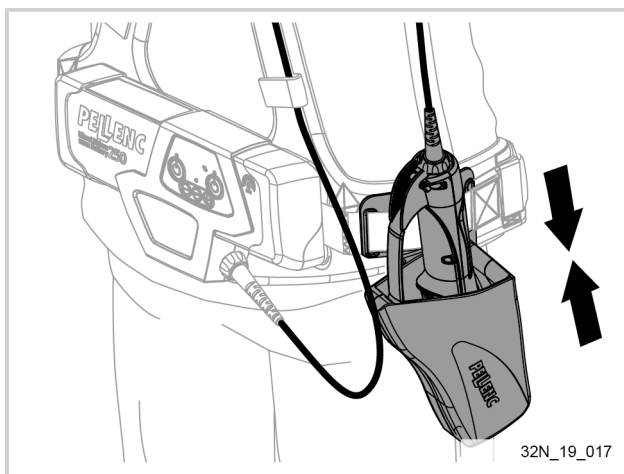
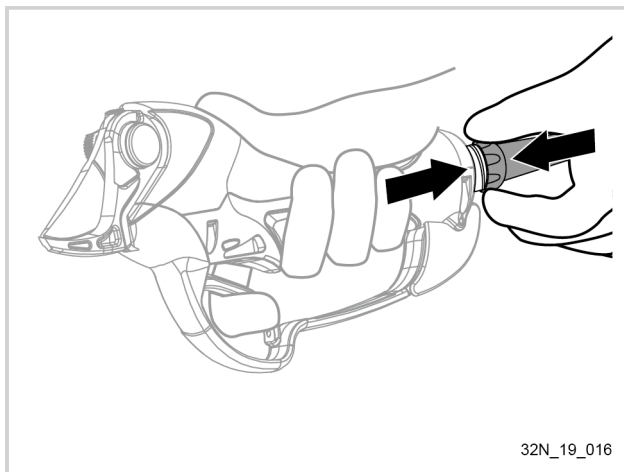
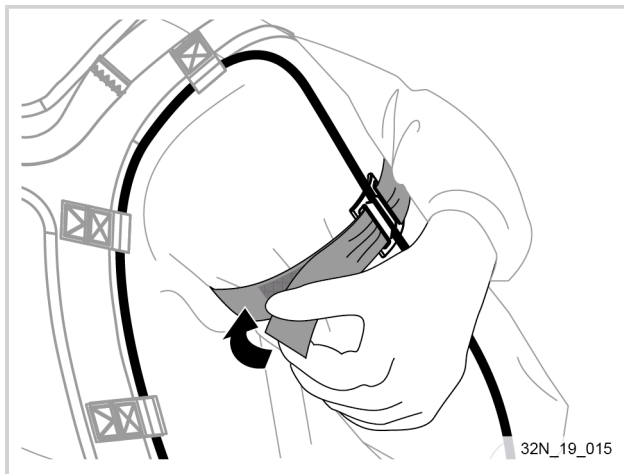
**4.2. PUTTING THE PRUNING HOLSTER AROUND THE THIGH**







**4.3. PUTTING THE LEAD AND WRIST STRAP IN PLACE**



**5. USE**

**5.1. USAGE TIPS**

- You must take all necessary care to prevent catching the lead of the pruning shears in the branches. To do this, attach the lead to your arm using the wrist strap provided. (see page Section 4.3, "Putting the lead and wrist strap in place")

- The operating time and service life of the pruning shears mainly depend keeping the blade properly sharpened and adjusted.
- It is essential to remove the burrs (wire edge) from the cutting edge of the blade, and to file it off within the first 15 minutes of use.
- We recommend that you do not disconnect the lead of the pruning shears from the battery unit after use each day, but wind it around the "battery" unit and replace them both in their carry-case.

There are various usage modes available to best meet your working practices and to save battery power. The battery is supplied in the most efficient mode.

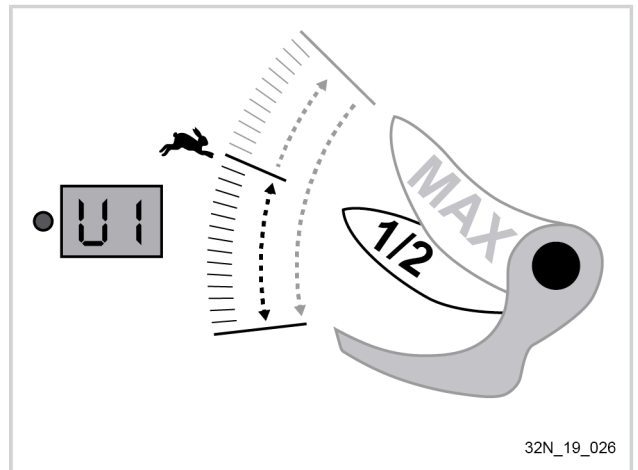
- These modes are shown on the display.
- The factory setting for the pruning shears is "ramp-up" mode (U4).

## 5.2. USAGE MODES

description of operating types available

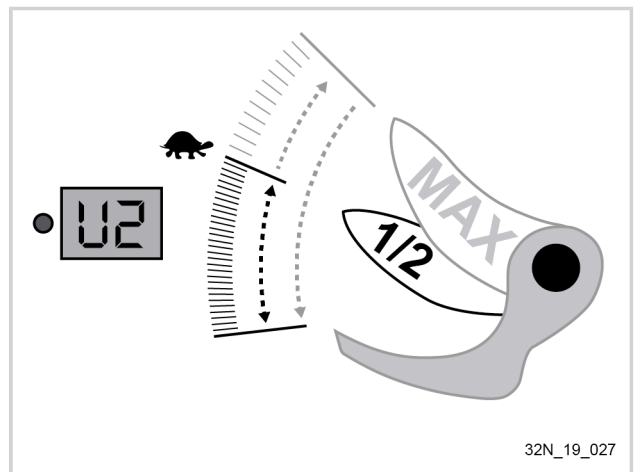
### Mode U1: PERFORMANCE

- Gradual, fast operation, with half-opening
- The pruning shears LED is green when operating.
- The pruning shears LED flashes green on standby.



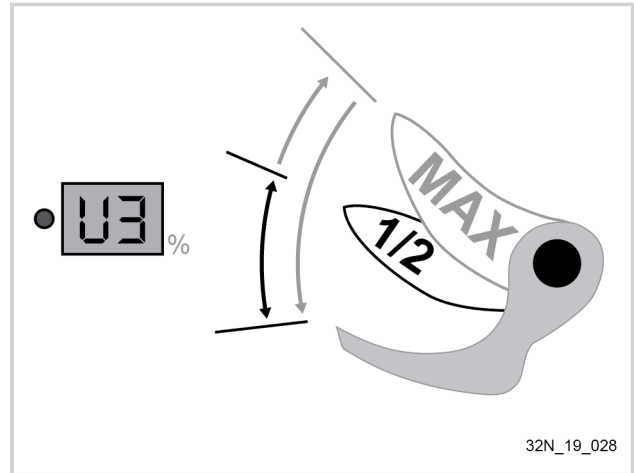
### Mode U2: ECONOMY AND COMFORT

- Gradual, smooth operation, with half-opening.
- The pruning shears LED flashes alternately green and red in operation.
- The pruning shears LED flashes alternately green and red faster when on standby.



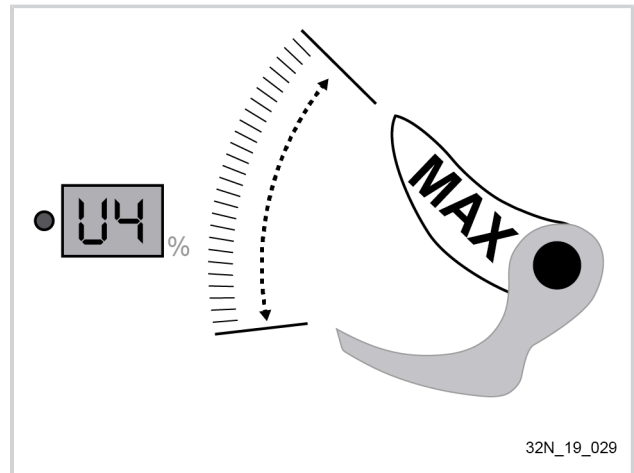
**Mode U3: ALL OR NOTHING**

- Fast, "on or off" operation, with half-opening.
- The pruning shears LED is red when operating.
- The pruning shears LED flashes red on standby.



**Mode U4: RAMP-UP (factory mode)** 

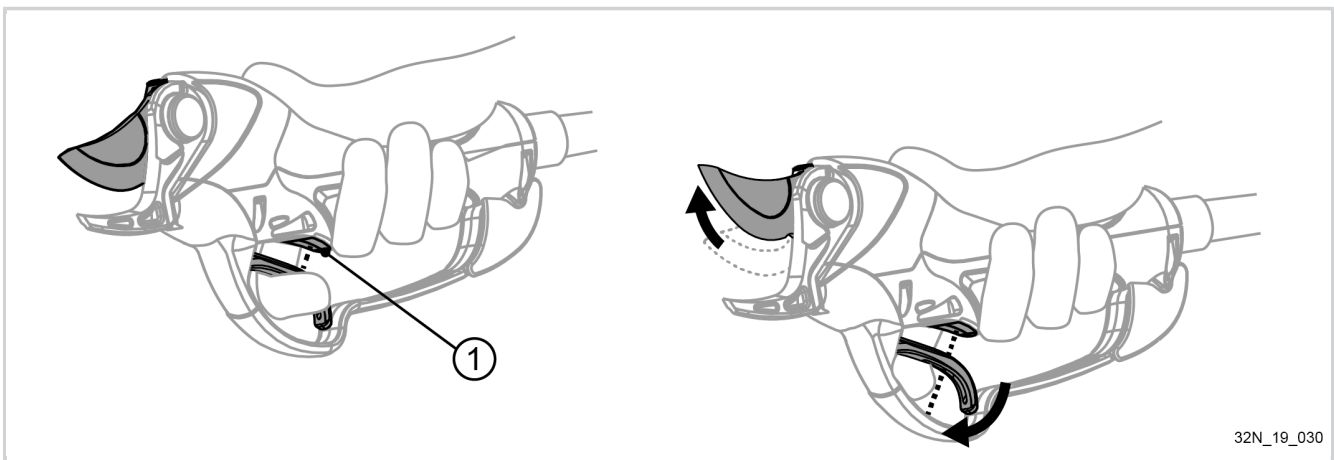
- Gradual, fast operation, with half-opening.
- The pruning shears LED is orange when operating.
- The pruning shears LED flashes orange on standby.



**Note**

Remove your finger from the trigger to open the blades wide, no matter which function is chosen.

**5.3. OPTICAL TRIGGER**



The blade stays half-open as long as the optical system (1) detects your finger on the trigger. When your finger releases the trigger, the optical system tells the blade to open fully.

This option helps when cutting small wood, thus saving energy. After a few minutes' use, this optical system becomes an essential feature of your daily work.

**Note**

The kind of gloves worn can have an effect on the way the optical trigger works. We recommend not wearing black gloves.

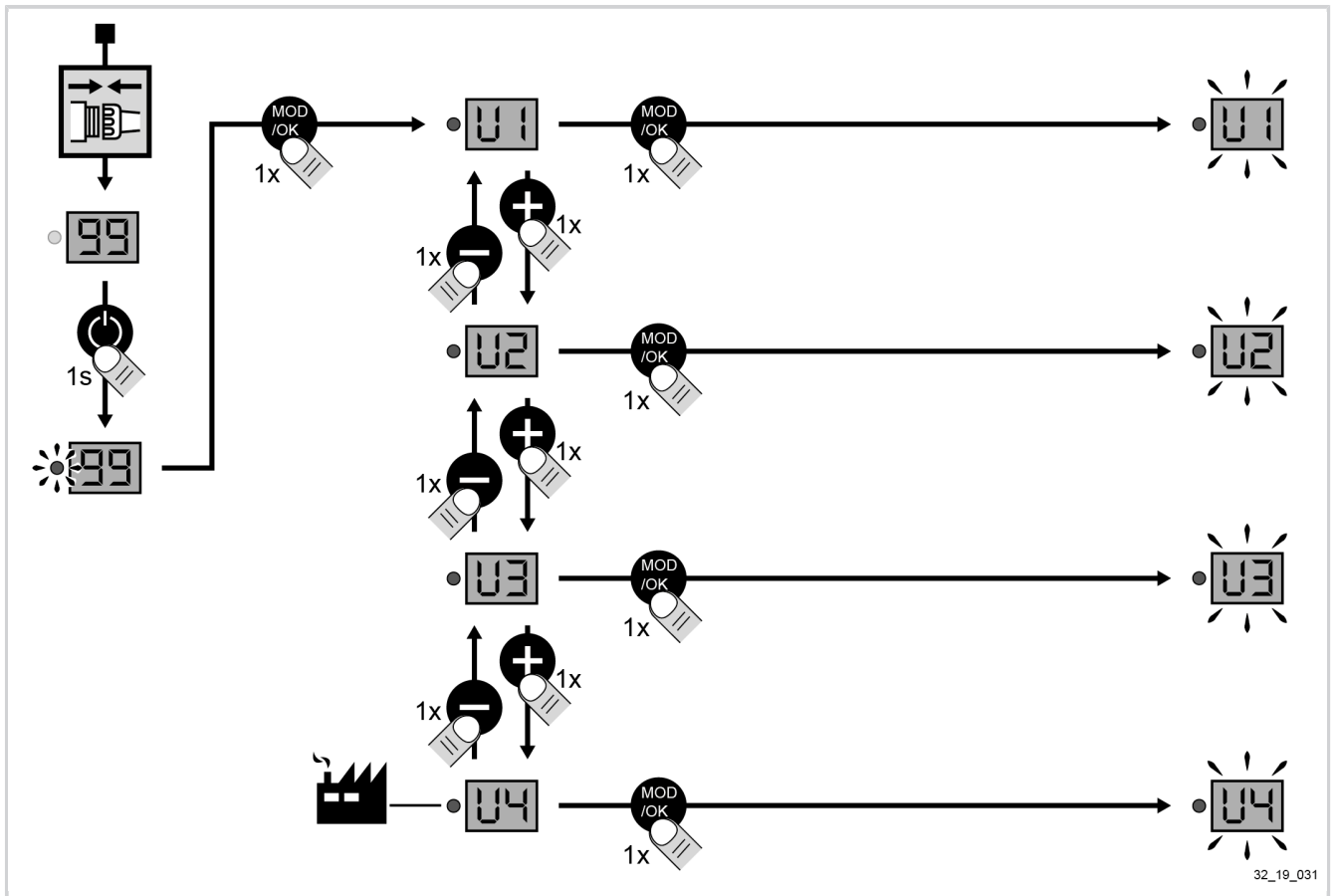
**Important**

If the optical trigger stops working properly, check that there is nothing obstructing the slot in the trigger or clean the window of the optical sensor with rubbing alcohol.

**5.4. CHANGING MODE**

**5.4.1. U1 / U2 / U3 / U4 MODES**

1. Turn the battery on, with the tool connected,
2. Press the "mode" button,
3. Choose modes U1, U2, U3 or U4 by pressing + or -,
4. Press the "mode" button to validate.

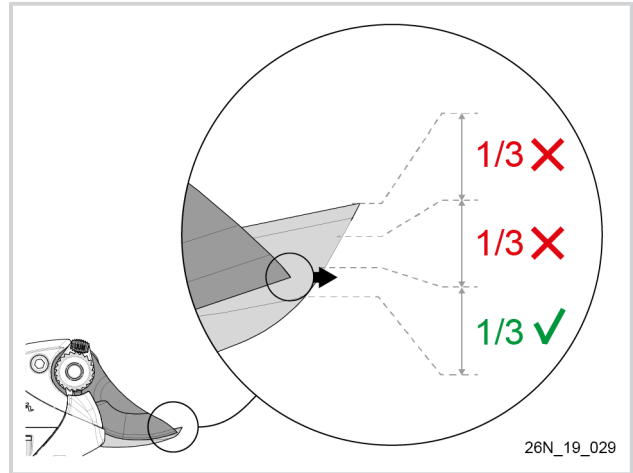


32\_19\_031

**5.4.2. "FUNCTIONAL" SETTING MODES**

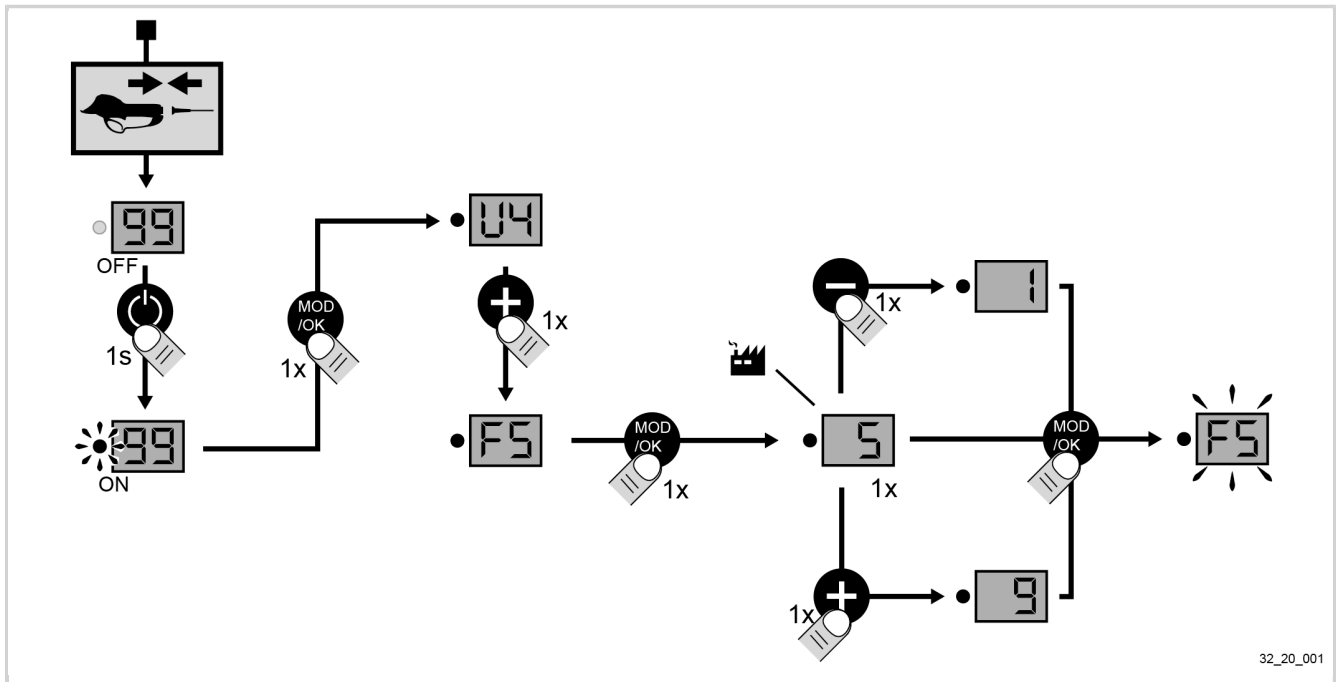
**F5 Mode: Blade crossing adjustment**

1. Turn the battery on, with the tool connected,
2. Press the "mode" button,
3. Select function **F5**, by pressing + or -,
4. Press the "mode" button,
5. Press + or - to adjust the blade crossing. When the pruning shears' blades are closed, the tip of the upper blade has to be positioned in the lower third of the lower blade's machined part (as illustrated here)
6. Press the "mode" button.



**Adjustment range:**

- Maximum value = 9
- Minimum value = 1
- Factory setting = 5

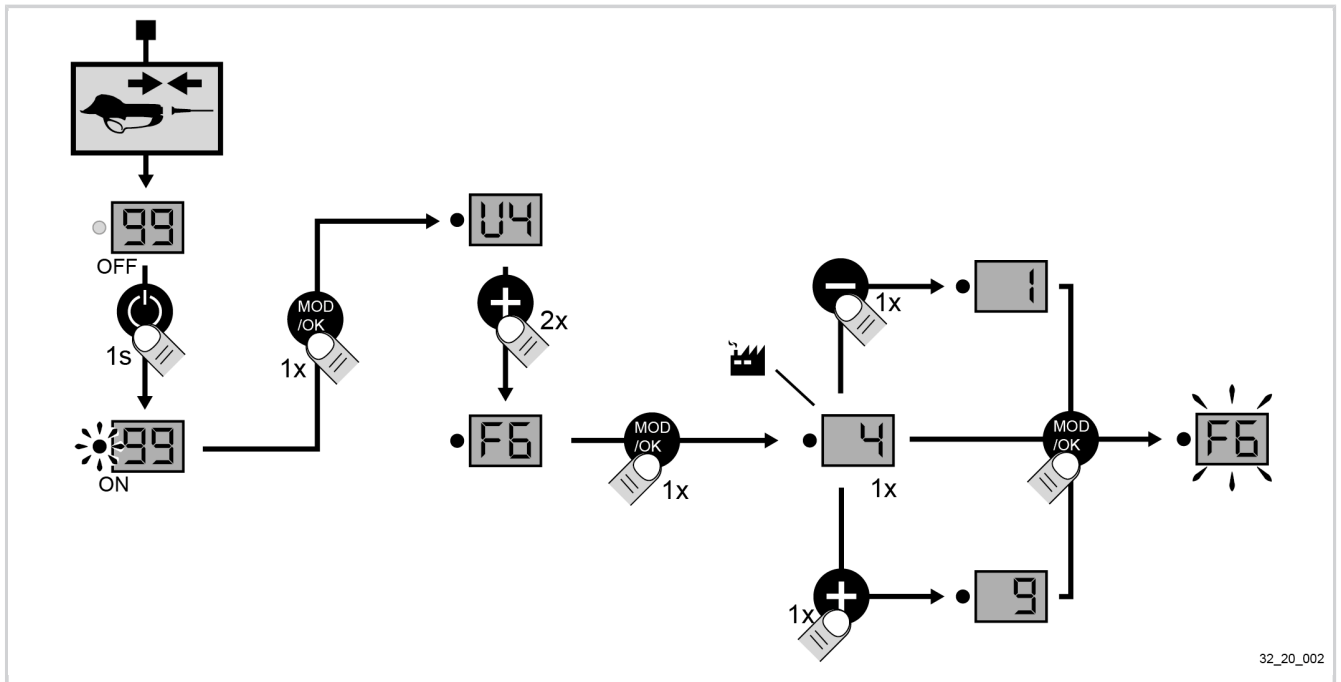


**F6 mode: half-opening setting**

1. Turn the battery on, with the tool connected,
2. Press the "mode" button,
3. Select function **F6**, by pressing + or -,
4. Press the "mode" button,
5. Press + or - to adjust the half-opening of the blade,
6. Press the "mode" button.

**Adjustment range:**


- Maximum value = 9
- Minimum value = 1
- Factory setting = 4



32\_20\_002

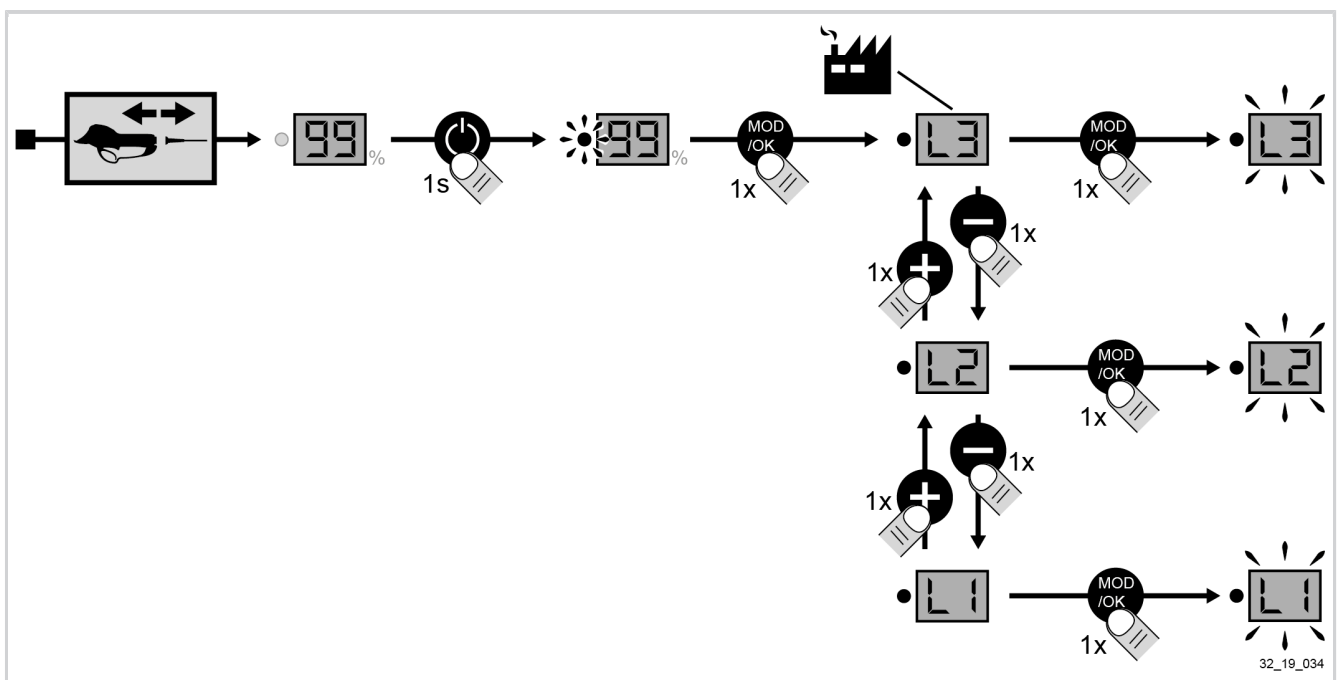
### 5.4.3. PARAMETER SETTING MODES

You can set the parameters for the tool's adjustment level to make it easier to use.

- L1: "Display" Mode: The tool can only be used in the preset configuration.
- L2: "Normal" mode: The user has access to 4 operating modes, U1 to U4, but these cannot be adjusted.
- L3: "Expert" mode: The user has access to 4 operating modes U1 to U4 and two settings (blade crossing = F5 and half opening = F6). 

The tool's parameter setting modes can be altered as follows:

1. Disconnect the pruning shears and turn on the battery,
2. Make the adjustment (refer to the diagram below),



32\_19\_034

3. After configuring the usage mode allowed for the user, turn the battery off, then reconnect the tool,
4. If you need to change mode again, the above procedure has to be repeated.

## 5.5. THE BATTERY

The battery has a gauge display showing the remaining capacity it holds. The capacity is expressed as a percentage.

- If the display shows 99, the battery is fully charged.
- If after a day's work, the display shows 55, there is no need to recharge the battery.
- If the display shows 00, or very close to it, it must be recharged at once.
- The battery gauge must be used like a fuel gauge on a car.

### Note

If the battery is not used for 10 days, it discharges automatically to prepare for storage. During this phase it will become warm.

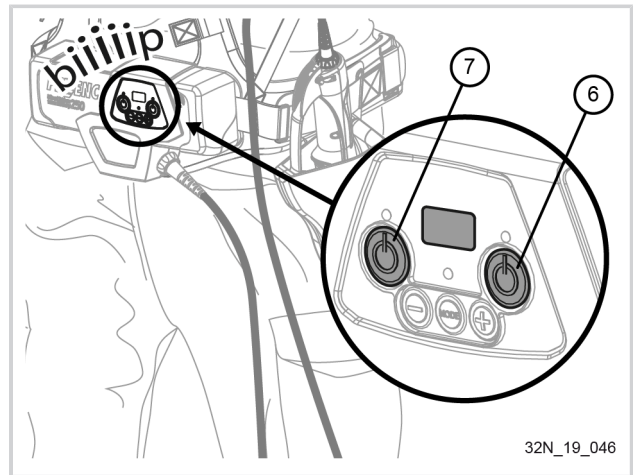
### 5.5.1. CHARGING

#### Important

Before using the battery for the first time at the start of a new season, it must be fully charged (99% steady).

When the battery is discharged, the tool stops automatically. The gauge display goes off, and the buzzer beeps once. (See Section 7, "Incidents and troubleshooting")

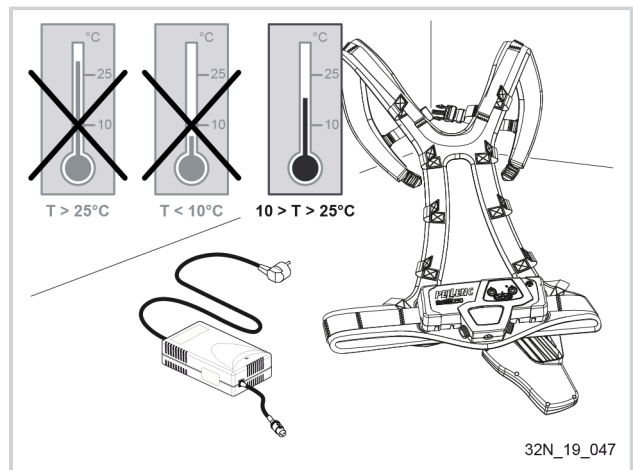
Press the on/off buttons (6) and (7) at once.



Place the charger and battery in a dry, ventilated and dust-free room at 10#25°C. Place the battery lying in a horizontal position.

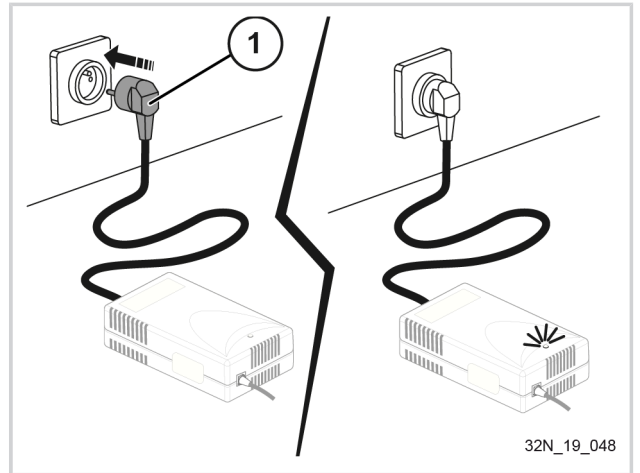
#### Caution

Before connecting the charger to the mains, check that your power system characteristics comply with the specifications given on the charger (see Section 3.4, "Battery technical characteristics").

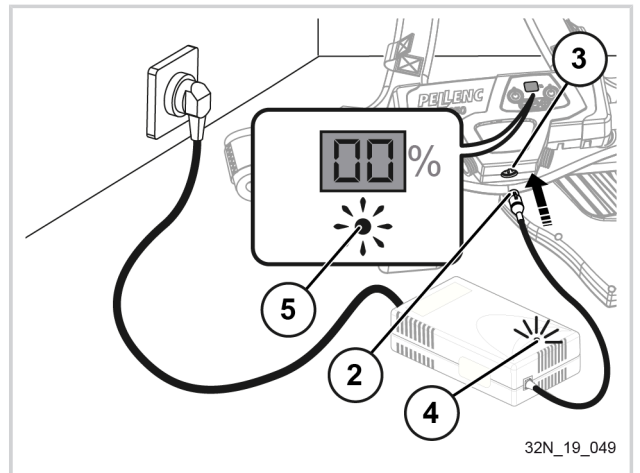




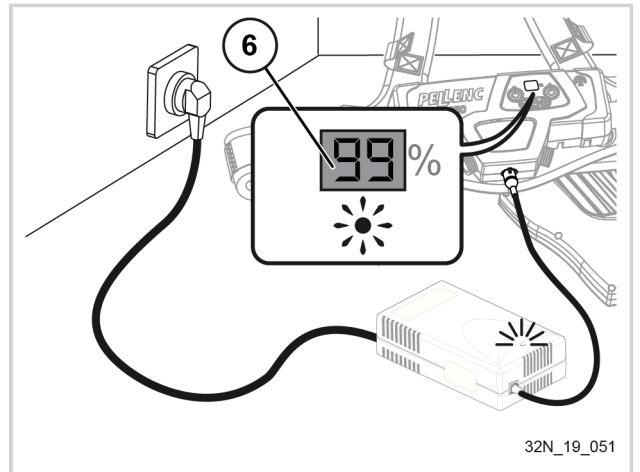
Connect the charger power connector (1) to the power outlet. The charger LED lights up green.



Connect the charging cord (2) to the battery's charging connector (3). The charger indicator (4) lights up green, and the battery indicator (5) flashes orange.



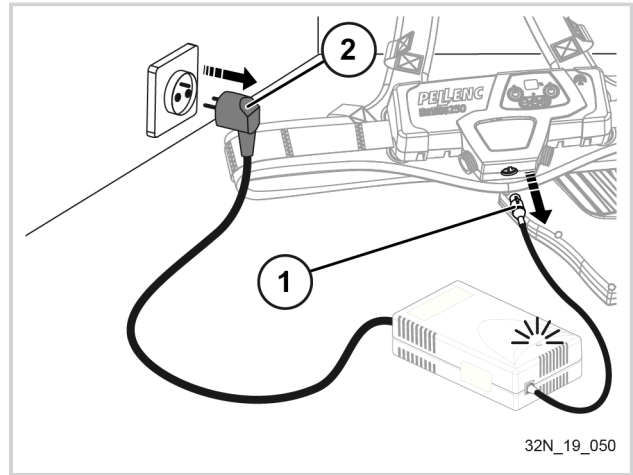
When the gauge display (6) flashes, the battery is charging. Charging is complete when the message 99 appears steadily on the gauge display (6).



Once the battery is charged, disconnect the charging lead on the battery first (1), then the charger power connector (2).

**Note**

After a long storage period (new battery, winter storage etc.), when you disconnect the charger, the charge level indicator may display a value of less than 99%. This is a normal phenomenon which can reoccur for up to 5 charge cycles with normal use between each charge.



**5.6. USAGE METHOD WITH BOTH TOOLS**

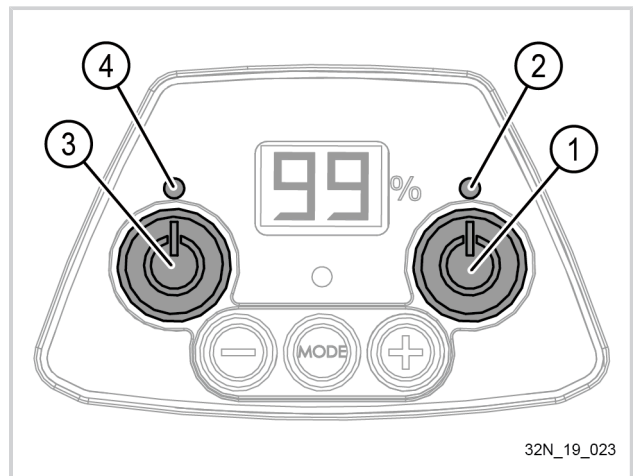
For safety's sake, when the pruning shears and chainsaw are both connected, the shears have priority.

- When the shears are operating, there is no power to the chainsaw.
- When the shears are on standby, the chainsaw is powered.

So there is no need to use the ON/OFF switches to start and stop the tools.

**Left side:** For the Selion M12 chainsaw only.

**Right side:** For the Prunion & Vinion pruning shears.



- To start your Pellenc pruner, turn on the battery by pressing the ON/OFF button (1) for 1 sec, the red LED (2) will light up, then the battery will beep 4 times. The pruner is ready for use, press the bottom trigger, then release it, the blade opens (the opening and closing of the blade are proportional to the movement of the finger).
- To stop your pruning shears, close the blade, using the trigger, and keeping it closed, press on the switch (1). The battery beeps once and the red LED (2) goes off.
- The pruning shears stop closing if the cut required is too hard. They can then only open.
- To put the pruning shears in "standby" mode, press the trigger and hold it closed for about 4 seconds.
- If the trigger is not operated for one minute, the tool automatically goes to standby; press the trigger again to leave standby mode.
- To start your Pellenc Selion M12 chainsaw, turn on the battery by pressing the ON/OFF button (3) for 1 second, the green LED (4) will light up and flash. Put the pruning shears in standby mode and the green LED (4) stays on steadily. The Pellenc Selion M12 chainsaw is ready to operate.



**Warning**

Before using the PELENC Selion M12 chainsaw, read the corresponding user guide carefully.

## 6. MAINTENANCE

If cutting is no longer sharp and effortless, this means that it is using more energy than necessary. Check the following points:

1. the sharpness of the blade,
2. the tightness of the blade,
3. the general condition of the pruning shears.

### 6.1. SHARPENING

This is important because it determines the quality of the cut and the durability of blades, the mechanical parts and the battery life. Its frequency depends of course of the wood cut (hardness and diameter), the pruning pace and sharpness of the blades (a special grinding stone was supplied to you).

It is therefore necessary, during the first few days of use, to check the condition of the blade edge frequently (a check every quarter of an hour makes it possible to assess the condition of the wire)

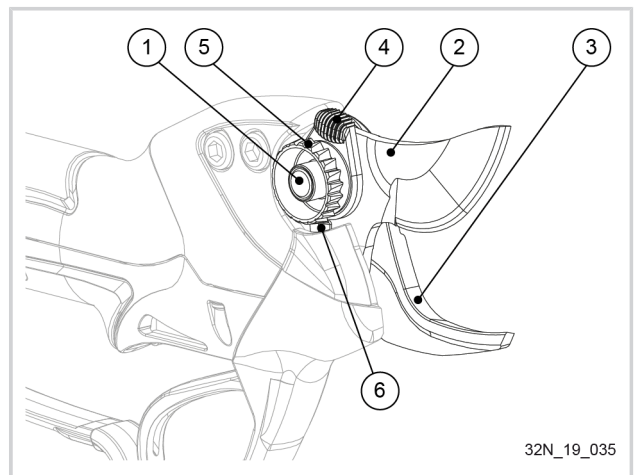
In order to maintain this cutting edge, regularly and carefully refresh the cutting wire.

#### **Important**

It is essential to remove the burrs (wire edge) from the cutting edge of the blade, and to file it off within the first 15 minutes of use.

### 6.2. CHECK THE TIGHTNESS OF THE BLADE

1. Blade shaft
2. Blade
3. Hook
4. Knurled adjustment washer
5. Clamping wheel
6. Pawl of the locking blade



32N\_19\_035

#### **Points to check for proper tightening**

- There must be no lateral play.
- The play in the cutting direction must be detectable by hand.

For this:

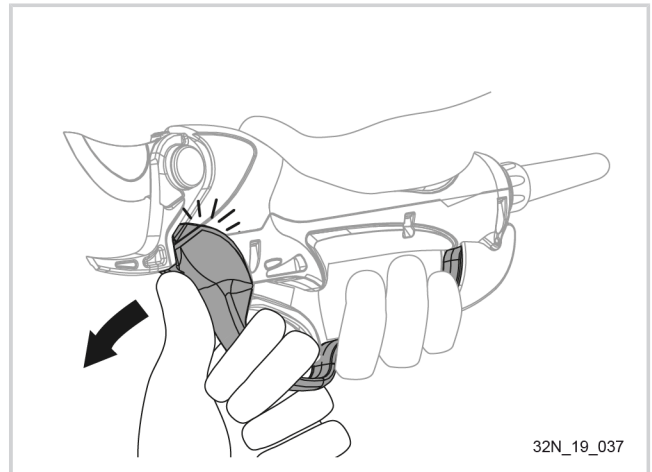
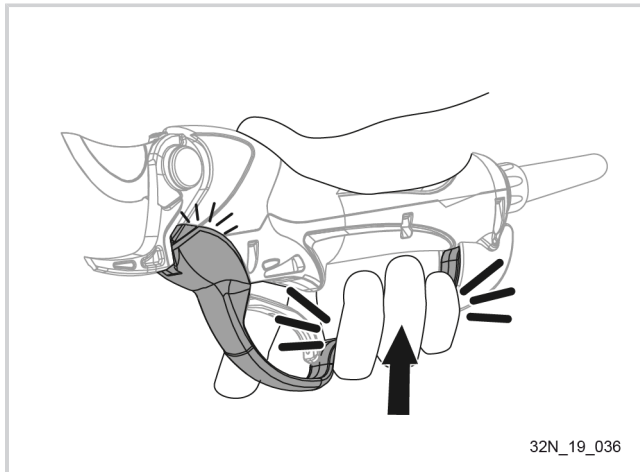
1. Perform these operations with the blade open and the battery off (see figure Section 2.2, "Safety Warnings for battery-powered shears").
2. Tighten the adjustment wheel (5) until the knurled adjustment washer no longer turns.

3. Check tightening of the blade:
  - The knurled washer (4) must be able to rotate with the blade open.
  - The knurled washer (4) must not turn with the blade closed.
4. Manually readjust tightening if needed using the wheel (5).
  - By turning the wheel (5) in the clockwise direction to tighten.
  - By pressing the pawl (6) and rotating the wheel (5) counter-clockwise to loosen.
5. Over-tightening may cause incorrect operation, poor cutting at the blade tip, and significant reduction in battery life.

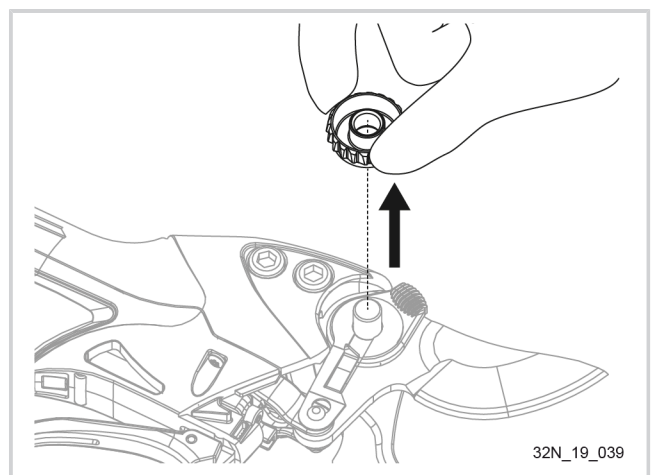
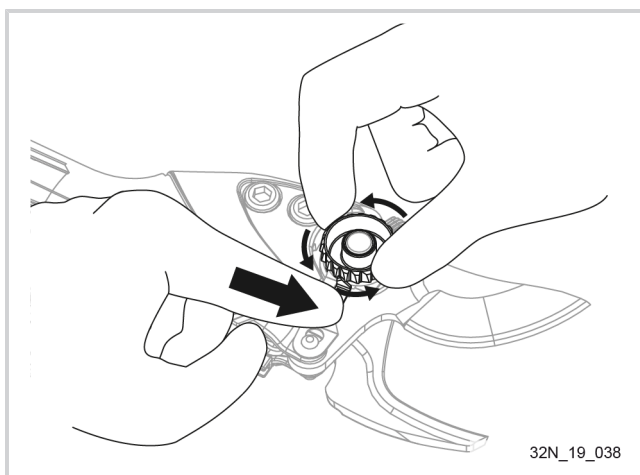
### 6.3. CHANGING BLADE OR SHAFT

Follow the instructions in the order given:

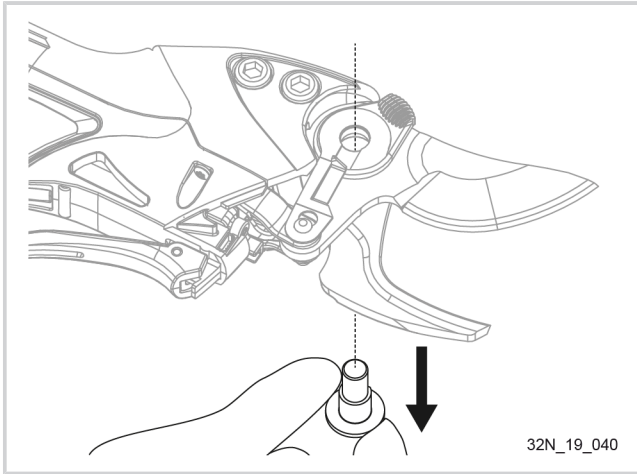
1. Open the blade fully.
2. Turn off the battery.
3. Disconnect the pruning shears cord.
4. Open the guard as shown below.



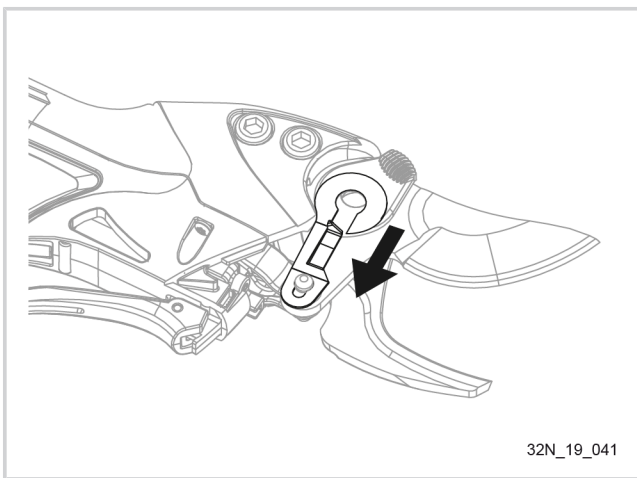
5. Unscrew and remove the knob.



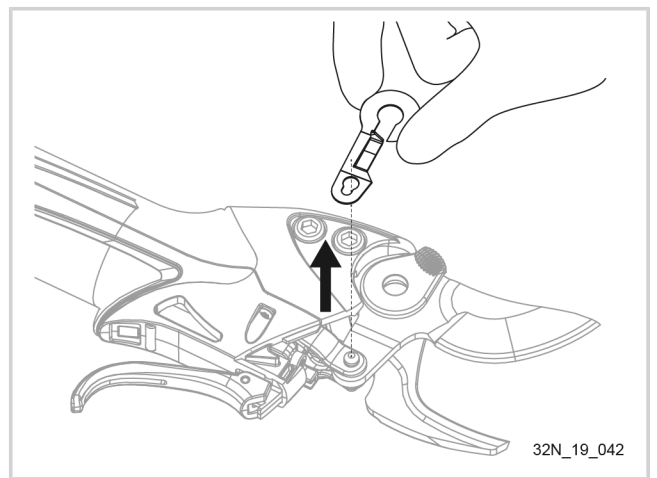
6. Remove the shaft from the blade



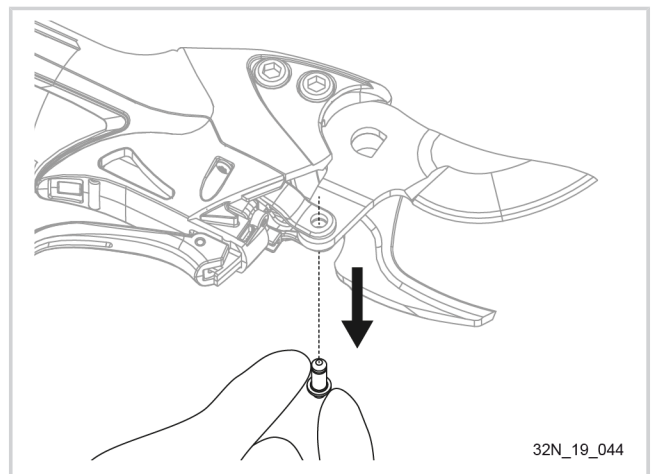
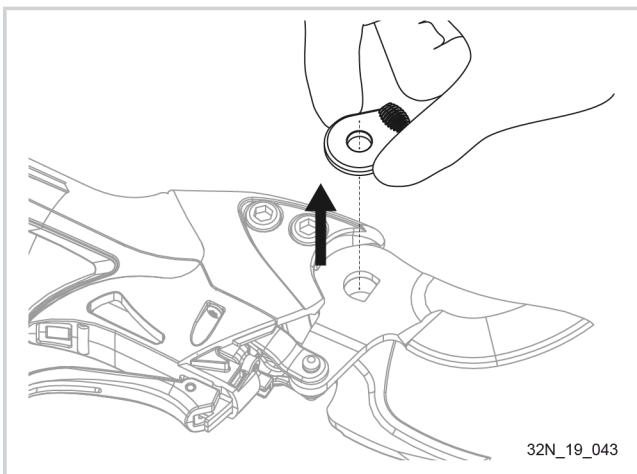
7. Remove the locking plate.



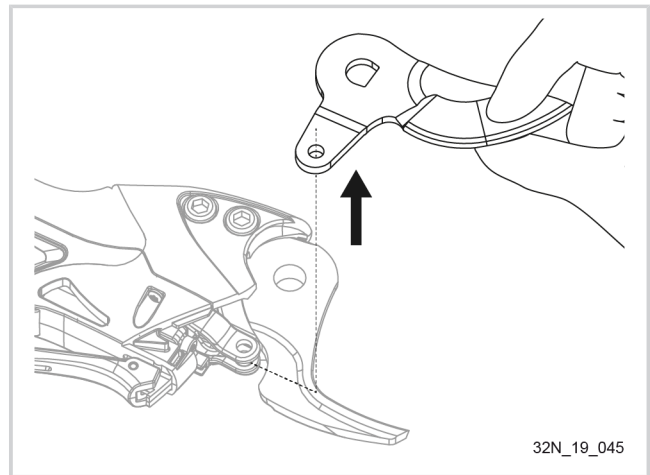
8. Remove the adjustment washer



9. Remove the shoulder pin and replace the worn parts



10. Replace the blade on the hook after greasing the seating, then replace the blade shaft and the clevis pin.
11. Replace the adjustment washer and locking blade.
12. Tighten the wheel on the blade shaft.
13. Clip the guard in place again by pressing on its centre.
14. Tighten the blade shaft, as instructed in the previous section.
15. Reconnect the pruning shears.



32N\_19\_045



**Caution**

Never operate the pruning shears without the blade and shafts, as this will cause damage to the ball screw and the body of the shears.

**6.4. BATTERY REPLACEMENT**



**Warning**

The battery must only be replaced and disposed of by an authorised distributor.

**6.5. CHARGER MAINTENANCE**

- The charger is maintenance-free.
- Disconnect the charger before cleaning it.
- Clean the charger case using a damp cloth and a gentle detergent.

**6.6. OTHER MAINTENANCE**

Avoid the formation of abrasive paste (oil + soil) as much as possible via frequent cleaning. To do this:

- Clean the front of the shears with a cloth and compressed air, do not use solvents such as trichlorethylene, turpentine, gasoline, or similar products.
- Lubricate the blade and the blade axes sparingly but often (once a week).
- Do not leave the pruning shears in the soil or exposed to the elements.

**EVERY 200 HOURS, change the following kits (contact your distributor to change these kits):**

PRUNION	VINION
<ul style="list-style-type: none"> <li>• Blade kit (ref. 122991)</li> <li>• Blade pin kit (ref. 123762)</li> <li>• Maintenance kit (ref. 122688)</li> </ul>	<ul style="list-style-type: none"> <li>• Blade Kit 4 mm (ref. 153490)</li> <li>• Blade pin kit (ref. 122671)</li> <li>• Maintenance kit (ref. 122672)</li> </ul>

## 7. INCIDENTS AND TROUBLESHOOTING

### 7.1. RECAP OF BATTERY DISPLAY MESSAGES AND AUDIBLE SIGNALS

Normal messages	
Use	
88 fixed	<ul style="list-style-type: none"> <li>Battery during operation</li> <li>Battery charge level between 0% and 99%.</li> </ul>
00 with 1 beep per minute	<ul style="list-style-type: none"> <li>Charge level very low,</li> <li>Tool shutdown imminent</li> <li>Charge the battery</li> </ul>
00 flashing with 1 beep every 10 seconds	<ul style="list-style-type: none"> <li>Empty battery,</li> <li>tool stopped</li> <li>Charge the battery</li> </ul>
Charge	
88 flashing every 4 seconds	<ul style="list-style-type: none"> <li>Battery on charge</li> <li>Battery charge level between 0% and 99%.</li> </ul>
99 fixed	<ul style="list-style-type: none"> <li>Battery charged</li> </ul>
Storage	
88 flashing	<ul style="list-style-type: none"> <li>Standby mode after 10 days of non-use (50 to 99)</li> </ul>

Degraded mode messages	
Use	
°C and 55 alternately	<ul style="list-style-type: none"> <li>Stop the tool; the battery temperature is too high</li> </ul>
1 long beep and 1 short beep	<ul style="list-style-type: none"> <li>Stop the tool: current too high</li> </ul>
1 long beep and 4 short beeps	<ul style="list-style-type: none"> <li>Stop the tool; the tool temperature is too high</li> </ul>
Charge	
°C and 00 alternately	<ul style="list-style-type: none"> <li>Charge interrupted: Battery temperature too low</li> </ul>
°C and 45 alternately	<ul style="list-style-type: none"> <li>Charge interrupted: Battery temperature too high</li> </ul>

Fault messages	
Use	
88 and 1 beep every 2 minutes for 24 hours	<ul style="list-style-type: none"> <li>Voltage too low after 3 hours of non-use. Recharge battery immediately</li> </ul>
Charge	
Pb and bA alternating and continuous beep	<ul style="list-style-type: none"> <li>Battery problem</li> </ul>
Pb and CH alternately	<ul style="list-style-type: none"> <li>Charger problem</li> </ul>

If your tool no longer works:

1. Turn off the battery (check that the LED is off).
2. Check the battery is charged, as shown on the gauge.
3. Check the lead is connected and the cable thumb-wheel tightened.
4. Turn on the battery (LED is on).
5. Press the trigger and the safety lock (depending on the tool).
6. If the tool does not work, return the complete equipment in its original packaging to a certified repair service.



### **Caution**

Never attempt to open or repair the battery pack or the charger

## 8. TRANSPORT / STORAGE

### 8.1. STORAGE

- Store the pruning shears, battery unit and charger in their carry-case, away from heat, dust and damp, and check the battery is properly turned off.
- Never store at an ambient temperature of more than +45 °C.
- In order to conserve a long battery life and prevent deterioration, the battery must be charged when stored and recharged every 24 months if it is not used.
- Never operate the switch while the shears are in storage.
- In the OFF-SEASON, you may have your pruning shears serviced by an authorised repairer. For more information, consult an authorised distributor or contact PELENC SAS.
- The battery must be stored in a dry place, at a steady temperature between 0 °C and +25°C. No combustible object must be placed within 1.5 metres of the battery.

## 9. ACCESSORIES AND CONSUMABLES

- PRUNION blade kit (ref. 122991)
- PRUNION blade shaft kit (ref. 123762)
- PRUNION maintenance kit (ref. 122688): Refer to your dealer before changing this kit.
- VINION blade kit 4 mm (ref. 153490)
- VINION blade shaft kit (ref. 122671)
- VINION maintenance kit (ref. 122672): Refer to your dealer before changing this kit.

## 10. WARRANTIES

### 10.1. GENERAL WARRANTIES

#### 10.1.1. STATUTORY WARRANTY

##### - 10.1.1.1. LATENT DEFECTS WARRANTY

Apart from the commercial warranty provided for under Article II, Article 1641 of the Civil Code provides that "the seller is bound to a warranty on account of latent defects of the object sold which render it unfit for the use for which it was intended, or which would impair said use to the extent that the buyer would not have acquired it, or would only have given a lesser price for it, had he known of them".

Article 1648 of the Civil Code "The action resulting from latent defects must be brought by the purchaser within two years after the discovery of the defect. "

##### - 10.1.1.2. LEGAL WARRANTY OF CONFORMITY

Article L.217-4 of the Consumer Code "The seller delivers goods in conformity with the contract and is liable for defects of conformity existing upon delivery.

The seller is also liable for any lack of compliance resulting from the packaging, assembly or installation instructions whenever its contractual liability is engaged in this regard or the latter are carried out under its responsibility



Article L.217-5 of the French Consumer Code "Goods are compliant with the contract":

1. Where they are fit for the purpose normally expected of similar goods and, where applicable:
  - If it matches the description given by the seller and possesses the qualities that were presented to the purchaser in the form of a sample or model;
  - If it possesses the qualities that a purchaser can reasonably expect given the public statements made by the seller, the producer or its representative, especially in advertising or labelling;
2. Or, if it has the characteristics defined by mutual agreement of the parties or is fit for any particular purpose that the buyer made known to the seller and that the latter accepted.

Article L.217-12 of the Consumer Code "legal action resulting from lack of conformity lapses two years after delivery of the goods".

## **10.1.2. COMMERCIAL WARRANTYPELLENC**

### **- 10.1.2.1. CONTENT**

#### **10.1.2.1.1. GENERAL INFORMATION**

In addition to legal warranties, client users benefit from the commercial warranty on products PELLENC covering the exchange and replacement of parts recognised as being out of order, due to machining defects, assembly defects or material defects, whatever the cause.

The warranty is fully integral to the product sold by PELLENC.

#### **10.1.2.1.2. SPARE PARTS**

The commercial warranty also covers original PELLENC spare parts, excluding labour and to the exclusion of certain parts of each product provided at delivery.

### **- 10.1.2.2. DURATION OF THE WARRANTY**

#### **10.1.2.2.1. GENERAL INFORMATION**

PELLENC Products are guaranteed under the commercial warranty as from delivery to the customer for a period of two (2) years for products connected to a PELLENC battery, and for a period of one (1) year for other PELLENC products.

#### **10.1.2.2.2. SPARE PARTS**

PELLENC Replacement parts replaced under the product warranty are guaranteed under the commercial warranty as from delivery of the PELLENC product to the customer user for a period of two (2) years for products connected to a PELLENC battery, and for a period of one (1) year for other PELLENC products.

In the case of products connected to a PELLENC battery, parts that are replaced under the product warranty after the 12th month of use, are covered for a period of one (1) year.

#### **10.1.2.2.3. WARRANTY EXCLUSIONS**

Excluded from the commercial warranty are products that have been subject to abnormal use, or were used under conditions and for purposes other than those for which they were manufactured, especially in the case of non-compliance with conditions stipulated in this user manual.

It does not apply in case of shock, fall, neglect, lack of supervision or maintenance or in case of transformation of the product. Also excluded from the warranty are products that have been subject to tampering, alteration or modification by the client user.

Wear parts and/or consumables cannot be covered by the warranty.

#### **- 10.1.2.3. IMPLEMENTATION OF THE COMMERCIAL WARRANTY**

##### **10.1.2.3.1. PRODUCT COMMISSIONING AND COMMISSIONING DECLARATION**

The DISTRIBUTOR undertakes to complete the computer commissioning declaration form, no later than eight days after the delivery of the property to the user customer, in order to activate the latter on the [www.pellenc.com](http://www.pellenc.com) website under "warranties and training" in the "extranet" menu, using the identifier previously provided to them by PELLENC.

Failing that, commissioning declaration will not be effective and implementation of the commercial warranty PELLENC will not occur. As a consequence thereof, the DISTRIBUTOR must ensure the financial burden of its intervention under the warranty without being able to pass on the cost to the client user.

The DISTRIBUTOR shall also undertake to complete the warranty card or the certificate of warranty and commissioning for self-propelled equipment provided with the product after having the client user sign and date it.

#### **10.1.3. PAID AFTER-SALES SERVICE**

##### **- 10.1.3.1. GENERAL INFORMATION**

Malfunctions, breakdowns, breakages resulting from misuse, neglect or improper maintenance by the client user as well as malfunctions resulting from normal wear of the product are subject to the payment of after-sales service, even during the period of the legal and commercial warranty. After-sales service repairs that fall outside of the legal and commercial warranty also include maintenance, adjustments, diagnostics of all types, and cleaning without the present list being exhaustive.

##### **- 10.1.3.2. WEAR PARTS AND CONSUMABLES**

Wear parts and consumables also fall within the after-sales service.

##### **- 10.1.3.3. SPARE PARTS**

Paid after-sales service also covers original PELLENC spare parts, excluding labour and outside the legal and commercial warranty period.

In case of replacement of original PELLENC spare parts in the context of after-sales service, said latter are covered by a warranty of one year as from the installation date.

#### **10.2. SPECIFIC WARRANTIES**

PELLENC S.A. guarantees its engine for a period of 2 years from the date of delivery.

PELLENC S.A. guarantees its battery for a period of 2 years from the date of delivery provided that:

- The number of charging cycles does not exceed 100 per year;
- The battery charge capacity did not exceed 50112 Wh since commissioning;
- The battery is used at temperatures between -5° C and +35° C;
- The battery is charged at temperatures between +10° C and +25° C;

- The battery has not gone into deep discharge;
- Average consumption does not exceed 450 mA.

**Avertissement**

Never open the pruning shears or battery pack, as this may void the warranty. Contact your authorised repair person.

**11. COMPLIANCE STATEMENTS**

**11.1. "EC" DECLARATION OF CONFORMITY: VINION**

MANUFACTURER	PELENC
ADDRESS	Quartier Notre-Dame - 84120 Pertuis (France)

ENTITY AUTHORIZED TO COMPILE THE TECHNICAL FILE	PELENC
ADDRESS	Quartier Notre-Dame - 84120 Pertuis (France)

We hereby declare that the machine referred to below as:

GENERIC DENOMINATION	Pruning shears and 250 battery
FUNCTION	Intended for pruning
COMMERCIAL NAME	VINION
TYPE	Self-contained
MODEL	VINION
SERIAL No.	26T00001 - 26T49999 26U00001 - 26U49999 26V00001 - 26V49999

Complies with the relevant provisions of the machinery directive (2006/42/EC).

Complies with the provisions of the following European directives:

- 2014/30/EU EMC Directive
- 2011/65/EU ROHS Directive
- 1907/2006 REACH Regulation
- 2012/19/EU WEEE Directive


The following harmonised European standards have been used in whole or in part:

- EN 62841-1: 2015
- EN 55014-1: 2006 + A1: 2009 + A2: 2011
- EN 55014-2: 1997 + A1: 2001 + A2: 2008

Total vibration values (triax vector sum) determined in accordance with the EN 62841-1 standard (uncertainty of K=1.5 m/s <sup>2</sup> )	$a_h = 2.5 \text{ m/s}^2$
--	---------------------------

Acoustic power level measured (uncertainty of K=3 dB)	$L_{WA}=80 \text{ dB MAX}$
Level of acoustic pressure measured at the work station (uncertainty of K=3 dB)	$L_{pA}=70 \text{ dB MAX}$

SIGNED IN PERTUIS, DATED 01/07/2019  
JEAN-MARC GIALIS  
CEO



**11.2. "EC" DECLARATION OF CONFORMITY: PRUNION**

MANUFACTURER	PELENC
ADDRESS	Quartier Notre-Dame - 84120 Pertuis (France)
ENTITY AUTHORIZED TO COMPILE THE TECHNICAL FILE	PELENC
ADDRESS	Quartier Notre-Dame - 84120 Pertuis (France)

We hereby declare that the machine referred to below as:

GENERIC DENOMINATION	Pruning shears and 250 battery
FUNCTION	Intended for pruning
COMMERCIAL NAME	PRUNION
TYPE	Self-contained
MODEL	PRUNION
SERIAL No.	32T00001 - 32T49999 32U00001 - 32U49999 32V00001 - 32V49999

Complies with the relevant provisions of the machinery directive (2006/42/EC).

Complies with the provisions of the following European directives:

- 2014/30/EU EMC Directive
- 2011/65/EU ROHS Directive
- 1907/2006 REACH Regulation
- 2012/19/EU WEEE Directive

The following harmonised European standards have been used in whole or in part:

- EN 62841-1: 2015
- EN 55014-1: 2017
- EN 55014-2: 2015

Total vibration values (triax vector sum) determined in accordance with the EN 62841-1 standard (uncertainty of K=1.5 m/s <sup>2</sup> )	$a_h = 0.92 \text{ m/s}^2$
Acoustic power level measured (uncertainty of K=3 dB)	$L_{WA} = 81.1 \text{ dB}$
Level of acoustic pressure measured at the work station (uncertainty of K=3 dB)	$L_{pA} = 70.1 \text{ dB}$

SIGNED IN PERTUIS, DATED 01/07/2019  
JEAN-MARC GIALIS  
CEO



**11.3. "EC" DECLARATION OF CONFORMITY: BATTERY 250**

MANUFACTURER	PELLENC
ADDRESS	Quartier Notre-Dame - 84120 Pertuis (France)
ENTITY AUTHORIZED TO COMPILE THE TECHNICAL FILE	PELLENC
ADDRESS	Quartier Notre-Dame - 84120 Pertuis (France)

We hereby declare that the machine referred to below as:

GENERIC DENOMINATION	BATTERY		
FUNCTION	Intended to power PELLENC portable power tools		
COMMERCIAL NAME	ULTRA LITHIUM BATTERY		
TYPE	Li-ion battery		
MODEL	250		
SERIAL No.	26T00001 - 26T49999	32T00001 - 32T49999	56T00001 - 56T49999
	26U00001 - 26U49999	32U00001 - 32U49999	56U00001 - 56U49999
	26V00001 - 26V49999	32V00001 - 32V49999	56V00001 - 56V49999

Complies with the relevant provisions of the battery directive (2006/66/EC)

Complies with the provisions of the following European directives:

- 2014/30/EU EMC Directive
- 2011/65/EU ROHS Directive
- 1907/2006 REACH Regulation
- 2014/53/EU RED Directive

The following harmonised European standards have been used in whole or in part:

- EN 62133: 2013

SIGNED IN PERTUIS, DATED 01/07/2019  
JEAN-MARC GIALIS  
CEO



**11.4. "EU" DECLARATION OF CONFORMITY: CB5010HV CHARGER**

MANUFACTURER	PELENC
ADDRESS	Quartier Notre-Dame - 84120 Pertuis (France)
ENTITY AUTHORIZED TO COMPILE THE TECHNICAL FILE	PELENC
ADDRESS	Quartier Notre-Dame - 84120 Pertuis (France)

We hereby declare that the machine referred to below as:

GENERIC DENOMINATION	BATTERY CHARGER	
FUNCTION	Designed to charge Pellenc batteries	
COMMERCIAL NAME	CB	
TYPE	1 A	
MODEL	CB5010HV	
SERIAL No.	32T00001 - 32T49999	56T00001 - 56T49999
	32U00001 - 32U49999	56U00001 - 56U49999
	32V00001 - 32V49999	56V00001 - 56V49999

Complies with the relevant provisions of the low voltage directive (2014/35/EC)

Complies with the provisions of the following European directives:

- 2014/30/EU EMC Directive
- 2011/65/EU ROHS Directive
- 1907/2006 REACH Regulation
- 2012/19/EU WEEE Directive

The following harmonised European standards have been used in whole or in part:

- EN 60335-1:2012 / A11:2014
- EN 60335-2-29:2004 / A2:2010
- EN 62233:2008
- EN 55014-1:2006 / A2:2011
- EN 55014-2:1997 / A2:2008
- EN 61000-3-2:2014
- EN 61000-3-3:2013

SIGNED IN PERTUIS, DATED 01/07/2019  
JEAN-MARC GIALIS  
CEO













# **PELLENC**

   [www.pellenc.com](http://www.pellenc.com)

PELLENC  
Quartier Notre Dame - 84120 Pertuis (France)

