

Davide e Luigi Volpi S.p.A.
Via San Rocco, 10
46040 CASALROMANO MN
ITALIA



COMPANY WITH QUALITY SYSTEM
MANAGEMENT CERTIFIED BY ICIM
= ISO 9001 =

Forbici Elettroniche Cordless ad asta
Cordless Electronic Pole Pruner
Kabellose Elektronische Astschere
Электрический секатор с удлинением
Podadora de pértiga electrónica sin cable
Sécateur à perche électronique sans fil

KV81/KV151/KV201



Manuale d'uso - User's Manual - Handbuch -

Руководство пользователя - Manual del usuario - Mode d'emploi



CAUTION: READ ALL OF PAGE AND FIGURE FIRST BEFORE USE

Contents

1. Note of Safety:.....	20
2. Safety Symbols:.....	20
3. General Safety Instructions for Power Tools :	22
4. Special safety instruction.....	23
5. Purpose.....	25
6. Function description.....	25
7. Summary.....	26
8. Part list.....	26
9. Specification	26
10. Charging the Battery.....	27
11 Working environment.....	27
12 Assemble	27
13 Operation start procedure.....	28
14 Cutting	29
15 Maintenance & Cleaning	30
16 Storage.....	33
17 Tool indications and warning signals	33
18 Waste and environment protection	34
19 Spare parts.....	34
20 Warranty.....	35
21 Trouble shooting and repair	35
22 Declaration of conformity.....	36

1. Note of Safety:



Before first using the machine, please read this instruction manual carefully, for your own safety and for the safety of others. Keep the manual in a safe place and pass it on to any subsequent owner to ensure that the information therein is available at any times.

2. Safety Symbols:

This part includes safety indications for using the machine.

2.1. Symbols in Manual:



Warning symbol



Risk of cutting and severe injuries



Risk of falling material



Instruction symbol



Read through the instruction manual

carefully



Wear protective gloves



Wear eye protection.



Wear protective shoes with non-slip soles



Wear head protection



Do not use the pruning shear in the rain or wet hedge or branch.



Do not place with domestic waste.

2.2. Symbols on Battery:



Li-ion Li-on battery. Don't dispose with household waste.



Don't dispose the battery in fire where it will explode.



Don't disassemble the battery.



The battery can be recharged and recycled. Discarded batteries should be recycled in an environmentally friendly way.

2.3. Symbols on Charger:



Warnings



Only use the charger indoor



Insulation Class II



Electrical equipment cannot be disposed to domestic waste.

3. General Safety Instructions for Power Tools :



Warning! Read all safety directions and instructions.

Omissions in the compliance with safety directions and instructions can cause electric shock and fire and/or severe injuries.

Retain all safety directions and instructions for future use.

The term “Power Tools” used in the safety instructions refers to mains-operated power tools (with power cord) and battery-operated power tools (without power cord).

3.1. Work area safety:

- Keep work area clean and light. Cluttered or dark areas will cause accidents.
- Do not operate power tools in explosive and flammable atmospheres, such as in the presence of flammable liquids, gases or dust. Power tools create sparks, which may ignite the dust or fumes.
- Keep children and bystanders away while operating a power tool. Distractions can cause you to lose control of power tool.

3.2. Electrical safety for battery charger:

- Power tool plug must match the outlet. Never modify the plug in anyway. Do not use any adapter plugs with earthed (grounded) power tools. Unmodified plugs and matching outlets will reduce risk of electrical shock.
- Avoid body contact with earthed or grounded surfaces, such as pipes, radiators, ranges and refrigerators. There is an increased risk of electric shock if your body is earthed or grounded.
- Do not expose power tools to rain or wet conditions. Water entering a power tool will increase the risk of electric shock.
- Do not abuse the cord. Never use the cord for carrying, pulling or unplugging the power tool. Keep cord away from heat, oil, sharp edges or moving parts. Damaged or entangled cords increase the risk of electric shock.
- When operating a power tool out-doors, use an extension cord suitable for outdoor use. Use of a cord suitable for outdoor use reduces the risk of electric shock.
- If operating a power tool in a damp location is unavoidable, use a residual current device (RCD) protected supply. Use of an RCD reduces the risk of electric shock.

3.3. Notice of using the tools:

- Don't over load the tool, select suitable tool to work make you safe and high efficiency.
- Don't use the tool if the switch doesn't work properly. Tool should be repaired if the switch doesn't work.
- Disconnect the battery from tool or power source before adjusting, repair, replace or storage the tool. This will avoid injuries due to unexpected start of the tool.
- Store the tool away from the children, don't put tool to non-training person operate.
- Maintain tools. Always check tool, moving parts, any damage parts are all can cause injury, the correct maintenance of the tool can avoid injury.
- Keep blade sharp and clean. Sharp and clean blade can be easily controlled and not jams.
- Read manual before using the tool, select suitable tools and right accessories to avoid injury.

3.4. Notice using cordless tool:

- Use only the charger specified by the manufacturer. Use of other charger can damage the battery and cause risk of fire.

- The tool is only designed for original battery. Using other battery to match the tool can cause damage and risk of injuries.
- Battery should be stored away from metal parts, like clip, coin, key, nail, screw or other small metal parts. Short circuit the battery will cause fire.
- Inappropriate usage will cause leakage of liquid. If your body is splashed by the liquid, please flush by clean water. Must see a doctor if liquid touches eyes. Liquid of battery will canker or burn.

3.5. Personal safety:

- Keep alert, watch what you are doing and use common sense while shifting the power tool. Do not operate the power tool when you are tired, or under the influence of drugs, alcohol or medication. A moment of inattention when operating the power tool may cause serious personal injury.
- Use personal protective equipment. Always wear goggles. Safety equipment, such as dust mask, anti-skid safety shoes, hard hat, hearing protection and other devices used for appropriate conditions will reduce personal injury.
- Avoid accidental start. Make sure that the switch is in the OFF position when the tool is moved or carried. Carrying power tool with your finger on the switch or plugging in power tool that have the switch ON, may cause danger.
- Remove all adjustment keys or wrenches before the power tool is switched ON. A wrench or key left attached to a rotating part of the power tool may cause personal injury.
- Do not overreach. Keep proper footing and balance at all time. This enables better control of the power tool in unexpected situations.
- Dress properly. Do not wear loose clothing or wear jewelry. Keep clothes, gloves and hair away from moving parts, because of loose clothing, jewellery or long hair may be caught in moving parts.

4. Special safety instruction

4.1. Pruning shear special safety instruction

- Keep anybody away at least 1.5m from the blade, don't move cutting parts at blade working. Keep any part of your body away from the blade at least 15cm. Carefully operate the equipment can avoid injury.
- Move the tool at blade not moving. Protection guard is must at storage the tool. Protect blade to reduce damage.

4.2. Other safety instruction



Wear suitable work clothes such as boots with non-slip soles, sturdy long trousers, gloves and goggles.



Wear eye protection



Wear protection gloves



Wear head protection

- Do not wear long flowing clothing or jewelry, as moving parts may catch this.
- Stay alert, watch what you are doing, and use common sense when operating the tool. Do not use a power tool when you are tired or under the effect of drugs, alcohol or medicines.
- Don't use the pruning shear in the rain.
- The appliance is designed for trimming hedges or branches. Do not use to cut twigs, hard wood or other objects.
- Do not attempt to dislodge a blocked/trapped blade before switching the tool off.
- Before start with the trimming check the hedge or branch for hidden objects such as wire etc.
- When operating the tool hold it firmly with both hands, and keep the blade at least at 15cm from any other parts of the body
- Do not use the tool in the proximity of flammable liquids or gasses. Fire and explosion risk exists in the event of a short circuit.
- The blades have to be checked for wear in regular intervals and reshape ended. Blunt blades will overload the machine. Resulting damages are not covered by warranty.
- Do not attempt to repair the tool your-self, bring the tool to our Service Center in case of need. All works, which are not described in this manual, may only be performed by our Service-Centre

4.3. Special safety instruction for battery tool

- Charger design for use only indoor. Charging operations have to be performed indoor.
- Disconnect power before to clean the charger to avoid damage and risk of electrical shock.
- Don't expose battery in strong light. Don't put battery on hot surface. It can cause battery explosion.
- Fully cold battery before charging.
- Don't disassemble the battery, don't damage battery, in order to avoid injury.

4.4. Use charger correctly

- Charger only use on rechargeable battery. If not it can cause fire or explode. Use original charger to keep safety.
- Always check charger, wire and plug before use. If damaged, please move to Customer Assistance Service to repair. Don't use damaged charger, don't repair by yourself, this will keep the tool safe.
- Check voltage of charger match the battery value, if not may injury yourself.
- Keep charger clean, away from drippy or rain environment. Don't use the charger outdoor, dirt or water can cause injury.
- The charger is designed for original battery only. Otherwise may be cause damage or fire.
- Avoid damaged charger will reduce injury.
- Do not use chargers on tinder surface (e.g. paper or dry goods).
- The battery is not fully charged when you buy it, you must charge 3-4 hours before first use the tool.
- Normal charging time is 3/4 hours (charging time for 2 fully discharged batteries), do not charge the battery too long to avoid damaging it.
- The charger has three outputs, you can charge up to 3 batteries at the same time. The charging time is proportional to the number of batteries connected and the state of their charge. Monitor charging time by LED indicator (red light: charging, green light: end charging).

4.5. Caution (residual risk)

Keep use the tool carefully avoid risk as below:

- Cutting or injuries due to sharp edges
- Long times operate or irrationally use the tool will damage your body.



Warning!

The equipment will bring electromagnetism; it can interfere with some medical device in body. It is suggested to ask for doctor before the usage of the tool by at the same time with medical devices.



Warning!

Don't touch blade when the battery is connected to the tool.

Keep a minimum distance of 15cm between the blades and any part of your body.

Keep other people at a minimum distance of 1.5m



Warning!

Risk of falling material. Never cut branches or other material directly above your head and body to avoid injuries due to falling material.

5. Purpose

The device design only uses for cutting hedge, brush, and branch.

Other not suitable work may be damage tool and yourself.

The equipment design for adult use, don't use in rain or damp brush. Vendor is not responsible for any damage due to not following the instructions in this manual.

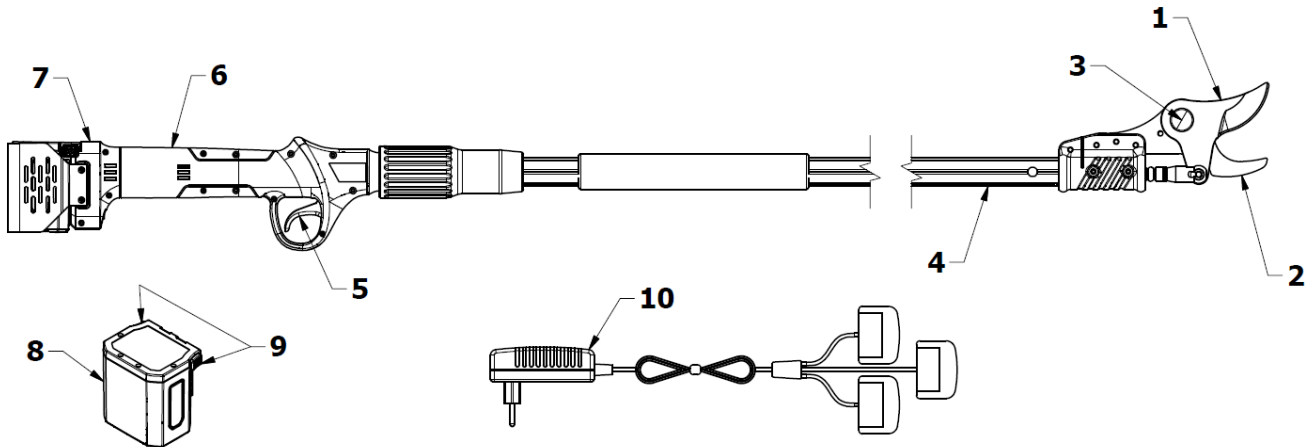


Check blade sharpening before to use the tool. Blade should be sharp before to use. Damages due to use of a blunt blade are not covered by warranty.

6. Function description

The tool is made in special class steel. Strong blades, light design to easy operation. The blade can be very close to branch, cutting softly, not damaging plant. In case of any abnormal operation, just loose trigger, blade will open to maximum position to reduce damage.

7. Summary



1	Moving blade	6	Handgrip
2	Fixed blade	7	Display
3	Blade fixing mechanism	8	Battery
4	Bar	9	Battery release buttons
5	Trigger	10	3-way charger

8. Part list

Open package carefully and check the parts below.

- Cordless pruning shear
- Nr 2 Batteries
- Battery charger
- Tool case
- Users' manual

9. Specification

Specification		
Cordless pruning shear		
1	Max cutting	38 mm
2	Rated voltage	DC 21.6V
3	Rated power	225 W
4	Rated current	9 A
5	Current protection	≥55A
6	Class	III
7	Weight	1.3kg (KV81) / 1.6kg (KV151) / 1.8kg (KV201)
Battery lithium		
1	Capacity	4.0 Ah
2	Voltage	21.6 V
3	Power	86,4Wh
4	Weight	0.5 kg

Charger		
1	Rated voltage	100-240V AC, 50-60Hz
2	Output voltage	DC 21 V
3	Charging current	1.4A
4	Class	II
5	Charging time	4h

10. Charging the Battery



Don't dispose battery under high temperature or vibration environment to avoid liquid leakage hurt body.



Disconnect the battery from tool before charging.



Always make sure the battery is dry and clean before charging.

- Make sure the battery is fully charged before first time using.
- The battery is not fully charged when you buy, you must charge 3-4 hours before using first time.
- Need to replace battery if battery running time is not enough. Users can only use the original equipment manufactured by the customer center (OEM) battery pack.
- Keep safety rules and environment protection information in mind all the time.

10.1 Battery charging procedure

- Charge at temperature of $+10^{\circ}\text{C} \sim +22^{\circ}\text{C}$ indoor.
- Connect adaptor of charger with battery correctly.
- Make sure specifications on battery and adapter matched before charging.
- Red LED light on the charger indicates the battery is charging, green LED light indicates fully charged, average charging time is about 3-4 hours.
- Please make sure the battery charged at least once every 4 months when the battery is not using.

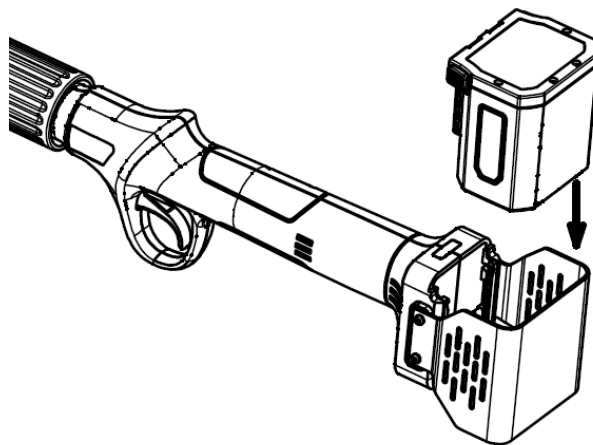
11 Working environment

- Keep temperature of environment at $10^{\circ}\text{C} \sim 22^{\circ}\text{C}$ when charging battery, $0^{\circ}\text{C} \sim +45^{\circ}\text{C}$ when battery is working.
- Keep tool at temperature of $0^{\circ}\text{C} \sim 60^{\circ}\text{C}$ when working

12 Assemble

Please check pruner and battery all clean and dry.

- Insert the battery into the battery slot until it clicks, making sure it is locked in place



13 Operation start procedure



Please wear suitable cloth and glove when operate this tool. Always check tools before use, make sure on/off switch and safe switch are all ok. The power should be put off when you loosen the trigger. Stop using the tool in case of switch failure. Always check rated voltage of battery match pruning shear.



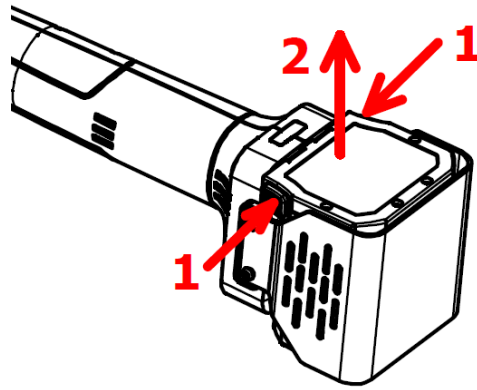
Switch off the machine, blade will stop in many second, must sure blade stop fully before touch it, otherwise blade will hurt your body.

- Press the power switch.
- Check the battery charge on the display. If the battery is low, proceed to recharge as specified in Section 10.
- After warning tone, please pull the trigger two times without holding. And the shear will be on working condition after one more warning tone.
- Do not overload cutting, it will protect pruning shear and battery not be damaged. Do not cut branches exceeding the dimensions indicated into the technical datasheet.
- Loose the trigger when the blade is jammed, the blade will resume maximum position.

Caution: Don't sway the pruner from the left to right in order not to damage the edge of blade during the resume process of blade.

Check the working frequency of the blade in order to verify the good working condition.

When you stop working, please press the trigger and maintain 3 seconds unchanged then the blade will keep closed state. Then press the power switch, check that the display is turned off and disconnect the battery from the tool.



14 Cutting



Wear suitable work clothes such as boots with non-slip soles, sturdy long trousers, gloves and goggles.



Wear eye protection



Wear protection gloves



Wear head protection



Risk of cutting and severe injuries



Risk of falling material. Never cut branches or other material directly above your head and body to avoid injuries due to falling material.

- When ready to cut, place the blade on the branch to be cut and press the trigger;
- When operating the tool, keep the other hand and any other part of your body at a minimum distance of 15cm from the blade;
- Keep all other people at a minimum distance of 1.5m
- Blade will be hurt or jammed if cutting bigger branch forcedly.
- Don't move the tool during the pruning shear cutting, it can cause danger.
- Don't use the device in rain or humidity environment.
- During storage of the device after use, take off wire from battery and pruning, shut up power switch before storage.



Caution: please check battery capacity or blade sharpening when cutting is difficult or not smooth.

15 Maintenance & Cleaning



Tools to be repaired must be sent to Customer Assistance Service. Use original part keeps the tool good condition and safe.



Disconnect the battery from the tool before checking, maintain and repair the pruning shear, to avoid risk of unexpected actuating of the tool.



Please wear glove before you check the blade sharp or not, that's avoid blade hurt you. Check the pruning shear frequently, this will keep tool safe and reliable.

- Don't flush the tools or put it in water, it will cause short circuit or damage the device.
- Keep ventilation, motor and handle cleaning, always use feather clean the device. Don't use cleanser flush device, it will rust parts.
- Clean the blade after every use, protect by oil or spray protection.

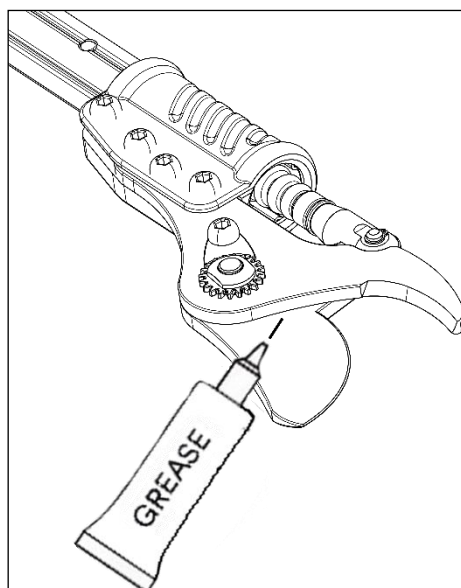
15.1 Sharpening

- Sharpening is very important to keep blade in good condition and ensure long life.
- The tool have attached accessory to sharp blade, always check blade is in good condition before to start work. Of course, the frequency of sharpening depends on the nature of the sheared wood (hardness and diameter), pruning rate and sharpening tools (special abrasive tools are provided). As a result, the blade must be checked frequently during the initial period of use to determine the appropriate grinding time (check every 15 minutes and you will quickly calculate the frequency).

15.2 Greasing of the blades

The greasing of the blades has to be repeated each 2-3 working days to guarantee the correct performance of the tool and to avoid the seize of the blades.

- Open the blades of the pruner.
- Switch off the tool and disconnect the battery.
- Apply the grease between the moving blade and the fix blade (see the picture below).
- Insert the battery on the pruner.
- Turn on the tool and pull the trigger some times to get the grease through the blades.
- Clean the blades from the grease leftover.



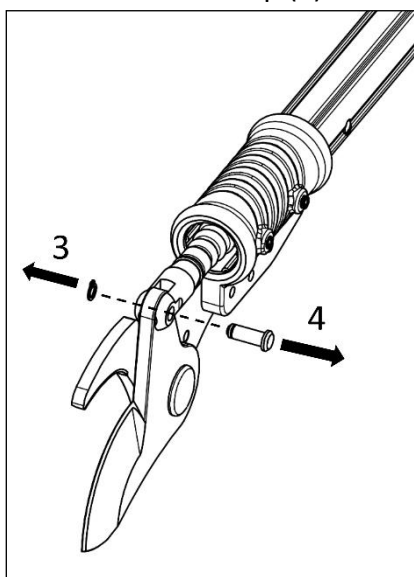
15.3 Lead screw greasing

Greasing of the pruner internal transmission have to be carried out by qualified personnel at customer service.

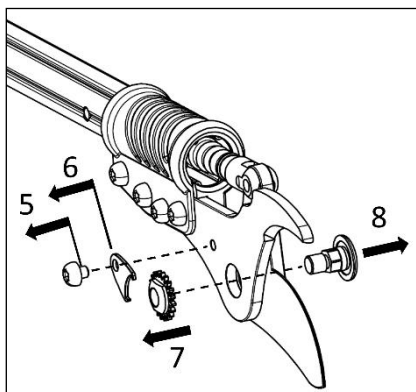
Bring the tool to the customer service center after every pruning season, in order to make the correct maintainance.

15.4 Moving blade replacement

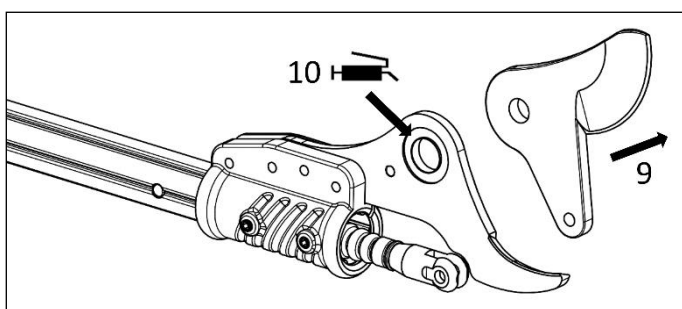
- Use only original blades, refer to customer assistance service to buy blades and original spare parts.
- With the battery inserted into the tool, open the blades by pressing the trigger, then switch off the tool and remove the battery.
- Remove the circlip (3) and the pin (4) from the moving blade actuator rod:



- Remove the blade fixing screw (5) and locking device (6), unscrew the nut (7) and remove the blade pin (8):



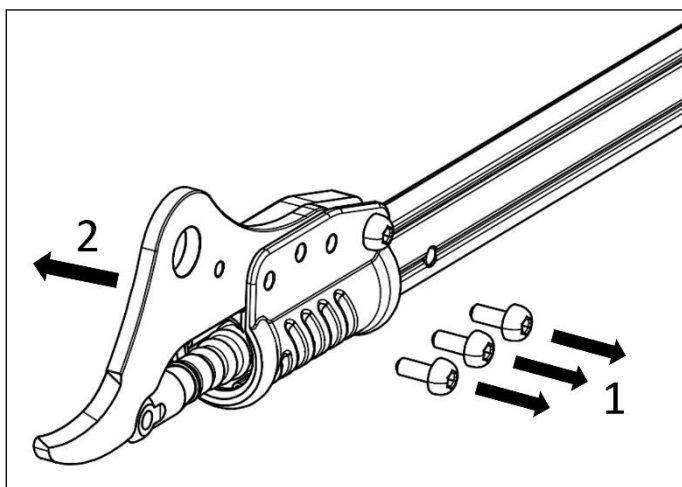
- The moving blade can be replaced now (9). Add grease to the fix blade in the indicated position (10):



- Repeat the inverse procedure to reassemble the tool. During the reassemble operation add grease to the blade pins.
- Between operation 5 and 4, move the blade by hand to evaluate the smooth relative movement between the blades. If the movement is difficult the locking nut has to be released by one step. If there is lateral freeplay the locking nut has to be tightened of one step.

15.5 Fixed blade replacement

- Follow the procedure at par. 15.3 for moving blade replacement up to point (9).
- Remove fixed blade screw (1) and pull out the fixed blade (2):



- Repeat the inverse procedure to reassemble the tool.

16 Storage

- Don't disport the battery to hot or cold environment.
- Remove the battery from the device if storage for a long time.
- Storage the battery and charger into box to keep it away from hot temperature, dust and humidity. Check switch is in OFF position before storage.
- Battery should be stored in dry environment, see below:

Storage less than 1 month	-20°C ~ +60°C
Storage less than 6 month	-10°C ~ +35°C
Storage over 6 month	0°C ~ +30°C

- Battery should be kept at least at 1.5m from any possible flammable substance.
- Maintain the battery; please full charging before storage, charging battery every 4 months when storing for a long time.

17 Tool indications and warning signals

17.1 Indication of charger

Li-Battery	
LED	Battery capacity
Three squares green	80%-100%
Two squares green	50%-80%
One squares green	30%-50%
One squares red	Below 30%

Charger	
Indication	Situation
Red	Charging
Green	Charging finished

17.2 Warning tone of the battery

Warning note	Interval	Warning Frequency	Situation or Problem
3 times	1 x 0.5 second 2 x 0.1 second	No repeat	Start up
2 times	1 x 0.5 second 1 x 0.1 second	No repeat	Shutdown
1 time	0.1 second	No repeat	Small and big blade mouth switch
3 times	1 x 0.1 second 1 x 0.5 second 1 x 0.1 second	No repeat	Stand-by

3 times	0.3 second	10 repeats	Indicate: open hall signal of stroke plate faults Send the shear to Customer Assistance
4 times	0.3 second	10 repeats	Indicate: closed hall signal of stroke plate faults Send the shear to Customer Assistance
10 times	0.3 second	10 repeats	The scissor has worked for 100,000 times already. Please remove the front cover, blade, pin, lead screw and re-grease the connection joints.
1 long note	5 second	10 repeats	Scissor has worked for 500,000 times, and it should be inspected and maintained fully. Please contact your local dealer for servicing.

18 Waste and environment protection

Move battery from equipment; recycle battery, tool, accessory and package to kind of waster.



■ The equipment is not part of household waste.

Send the equipment to a recycling center. The metal and plastic in the equipment can be recycled after be screened. For detailed information, please contact the Service Center.



Li-ion Do not discard the battery in household waste, fire (danger of explosion) or water. In case of the leakage of toxic gas or liquid, damaged battery may cause potential environmental and personal health risk.

Before discarding the battery, please use up electricity. It is recommended to stick the two poles with adhesive tape to prevent short circuit. Do not open the battery.

Dispose the battery according to local regulations. The battery shall be sent to a battery recycling station for environmental-friendly recycling. For detailed information, please consult your local waste management agency or our service center. Dispose the pruned branches in the designated stacks. Don't dispose them with household waste.

19 Spare parts

Manufacture can provide high quality spare parts.

- Battery
- Blade
- Charger

Please contact customer service in case of need.

20 Warranty

24 months warranty for private users and 12 months warranty for professional users. It covers core parts, including Li-battery, charger, motor and transmission mechanism.

Following conditions invalidate the warranty:

- Any abnormal operation
- Tool not maintained as per the Maintenance Instruction
- Tool modifications
- Any damages even if made by mistake
- Damaged after amateurish repairing.
- Nature caused damages
- Battery not recharged with the requested frequency
- Components subjected to wear (such as blades) during normal operation are not covered by warranty.

The warranty is valid only for products that have been registered through the website within 30 days from the purchase date.

For more information you can write to **info@volpioriginale.it**

Activate the warranty for your new tool through our website:

<https://www.volpioriginale.it/en/register-your-product/>



The buyer must also keep a copy of the sales document (receipt, invoice) and of the warranty registration: a copy of these documents must be given to the Dealer or Authorized Customer Service together with the machine to be repaired. In the absence of these documents, the machine will in any case be considered out of warranty.

21 Trouble shooting and repair

Have your power tool serviced by a qualified repair person using only identical parts for replacement. This will ensure the safety of the power tool.

Issue	Possible cause	Solution
Pruners doesn't work	Incorrect connection	Check correct wire connection with the tool and the battery.
	Switch fail	Send shear to service center for repairing
Blade becomes hot	Blunt blade	Sharp or replace blade
	Damaged blade	Sharp or replace blade
	Insufficient lubrication	Lubricate the blade

Bad cutting surface	Friction force added	Lubricate the blade
	Blade is dirty	Clean blade
	Blunt blade	Sharp or replace blade
	Incorrect usage of the pruner	Read instruction carefully
	Battery charge is low	Charge the battery
Can't charging, red LED flash	Battery not correctly insert in the charger	Re-insert the battery to charger
	Charger not correctly connected to power	Re-connect the charger
	Battery poles are dirty	Clean the poles
	Battery failure	Replace battery
	Charger fail	Replace charger

22 Declaration of conformity

CE DECLARATION OF CONFORMITY Translation of the original text

GB	<p>The Company Davide e Luigi Volpi S.p.A. Via San Rocco, 10 – 46040 Casalromano (MN) ITALIA</p>	CE	
DECLARES THAT THE MACHINE			
Type:	Electric pole pruner		
Code:	KV81 – KV151 – KV201		
<p>IS IN CONFORMITY WITH THE RELEVANT COMMUNITY HARMONISATION LEGISLATION:</p> <p>DIRECTIVE 2006/42/CE Machinery Directive DIRECTIVE 2014/30/UE Electromagnetic Compatibility DIRECTIVE 2014/35/UE Low Voltage Directive</p>			
<p>Reference to the relevant harmonized standards used or references to other technical specifications for which conformity is declared:</p>			
EN 62841-1:2015/AC:2015 Attached K	EN ISO 5349-2:2001 + A1:2015	IEC 62321-1:2013	IEC 62321-7-1:2015
EN ISO 12100:2010	EN 62233:2008 + AC:2008	IEC 62321-3:2013	IEC 62321-7-2:2017
EN 3744:2010/EN 3744:1995	EN 55014-1:2017 + A11:2020	IEC 62321-4:2013 + A1:2017	IEC 62321-8:2017
EN 12096:1997	EN 55014-2:2015	IEC 62321-5:2013	
EN ISO 5349-1:2001	EN 63000:2018	IEC 62321-6:2015	
Authorized person to set up the technical documentation:			
Name:	Davide e Luigi Volpi S.p.A.		
Residence:	Via San Rocco 10 – 46040 Casalromano (MN) Italia		
<p>This Declaration of Conformity is issued under the sole responsibility of the manufacturer.</p> <p>Casalromano, September 26th, 2022</p>			
		<p>The legal representative Eligio Volpi</p>	